



**Free Simple Wren House Plan**

# Free vs. Premium Plan: What's the Difference?

We offer both free and premium versions of our detailed shed plans, designed to fit your needs and budget. Check out the table below to see the key differences and choose the plan that's right for you:

Features	Free Plan	Premium Plan
Metric measurements	X	✓
Illustrations per Step	Limited	Every Step
Print Ready Format	X	✓
Step-by-Step Instructions	Basic	Comprehensive
Full Materials & Cutting List	X	✓
Additional Illustrations	X	✓
Additional Blueprints	X	✓
Tools List	X	✓
Fastening Elements List	X	✓
Technical Support	X	✓

[Try Premium Risk-Free](#)

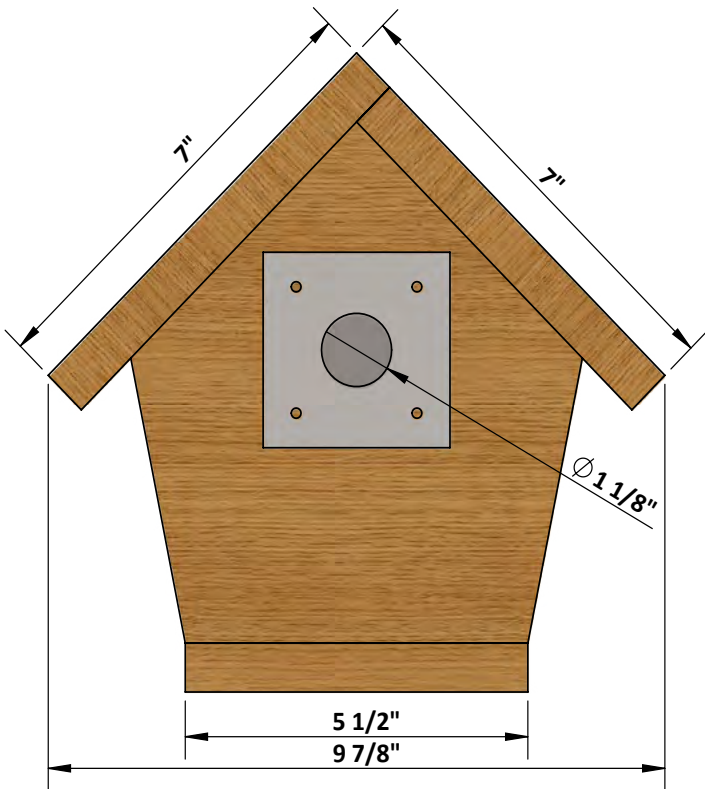
30-day refund policy with no questions asked.

# Simple Wren House Shopping List

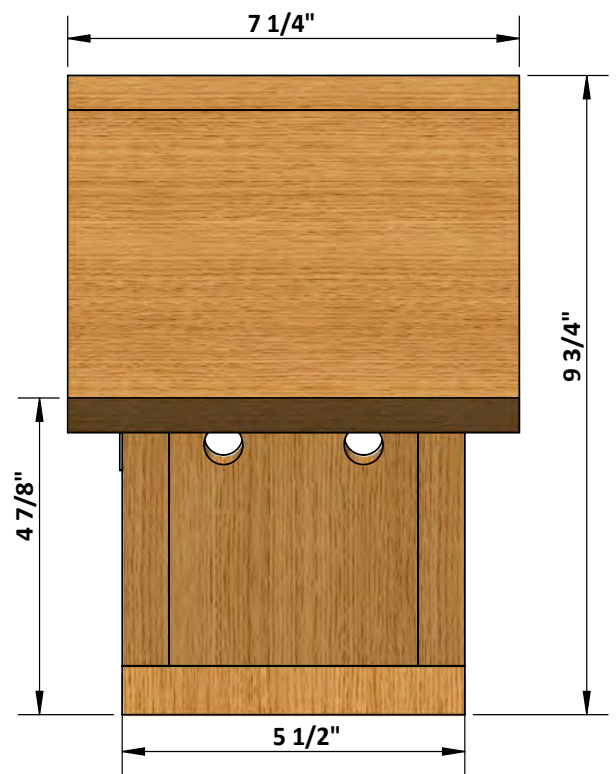
<b>Material</b>	<b>Unit</b>	<b>Qty</b>	<b>Size</b>
Cedar Board (1 x 6)	Pcs	1	6'
Cedar Board (1 x 8)	Pcs	1	6'

# Size & Dimensions

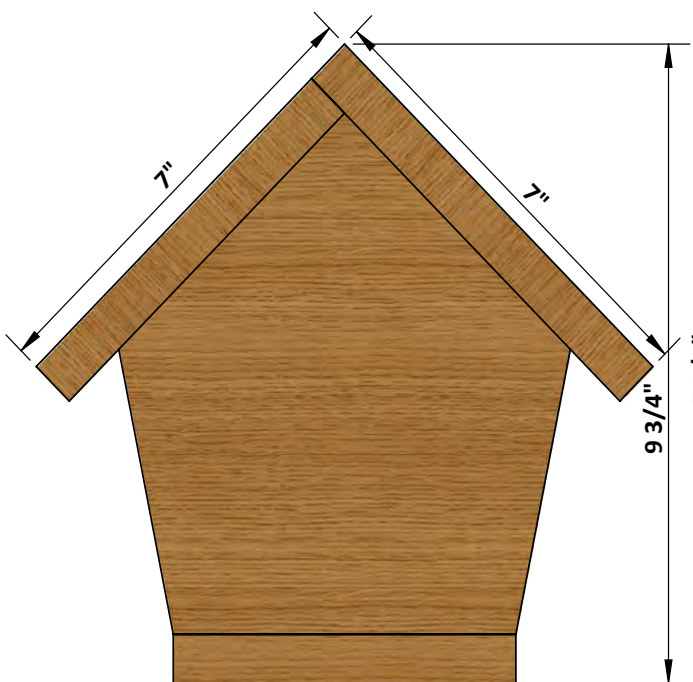
Front



Side



Back



Top



**Model View**



# Model View-Open



## STEP 1

### Front and Bottom Assembly

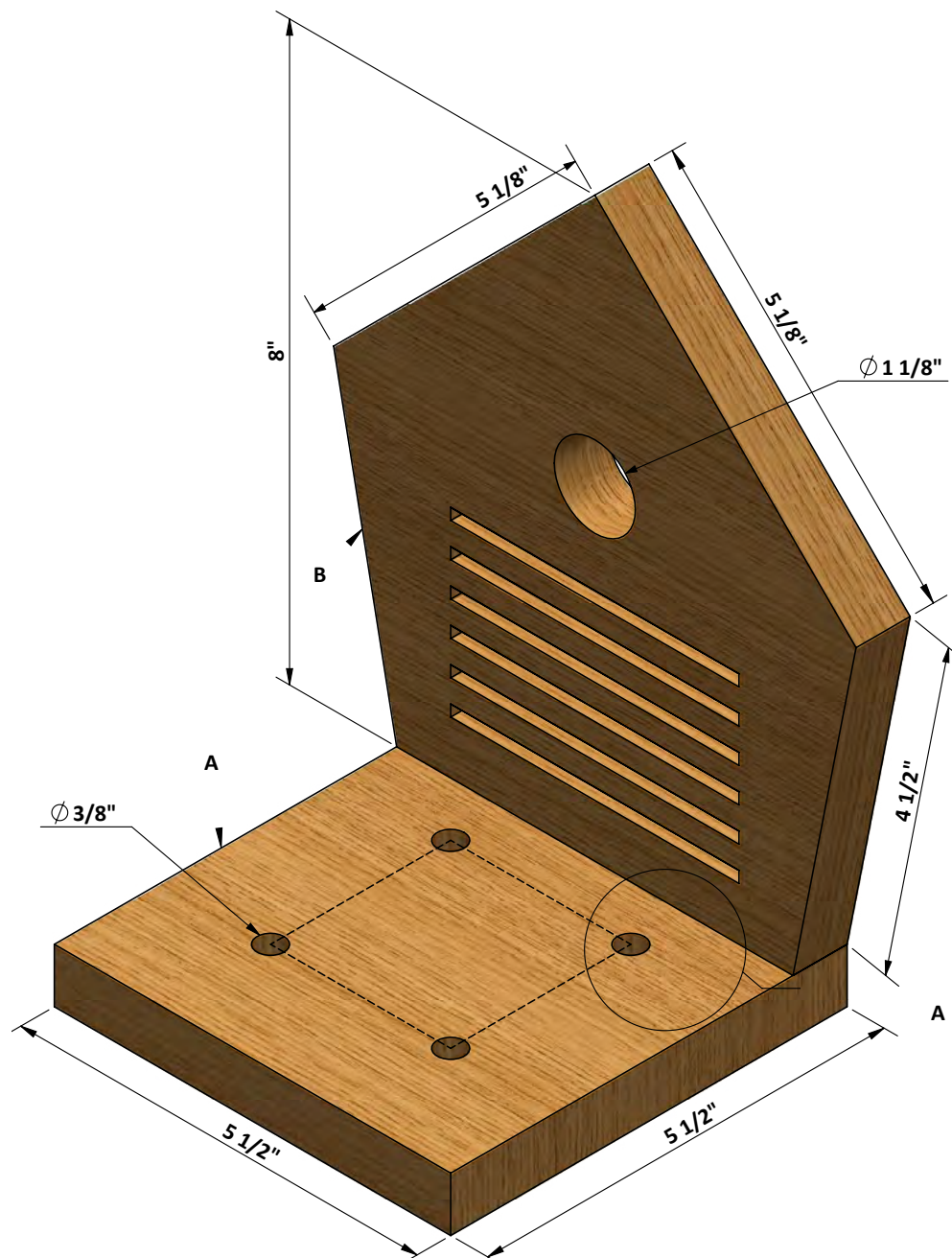
1.1 Assemble the front panel using 1 x 8 cedar board and bottom panel using 1 x 6 cedar board.

1.2 Cut four 3/8" drainage holes in the bottom panel according to the illustration below.

1.3 Cut a 1 1/8" hole at the top of the front panel for the entrance, and cut 1/8" x 1/8" grooves on the inside of the front panel to help young birds climb out.

1.4 Secure all the panels with #8 x 1 1/2" stainless steel screws.

Pos	Description	Material	Dimension	Qty
A	Bottom panel	Cedar Board (1 x 6)	5 1/2"	1
B	Front panel	Cedar Board (1 x 8)	8"	1



## STEP 2

### Side Panels Assembly

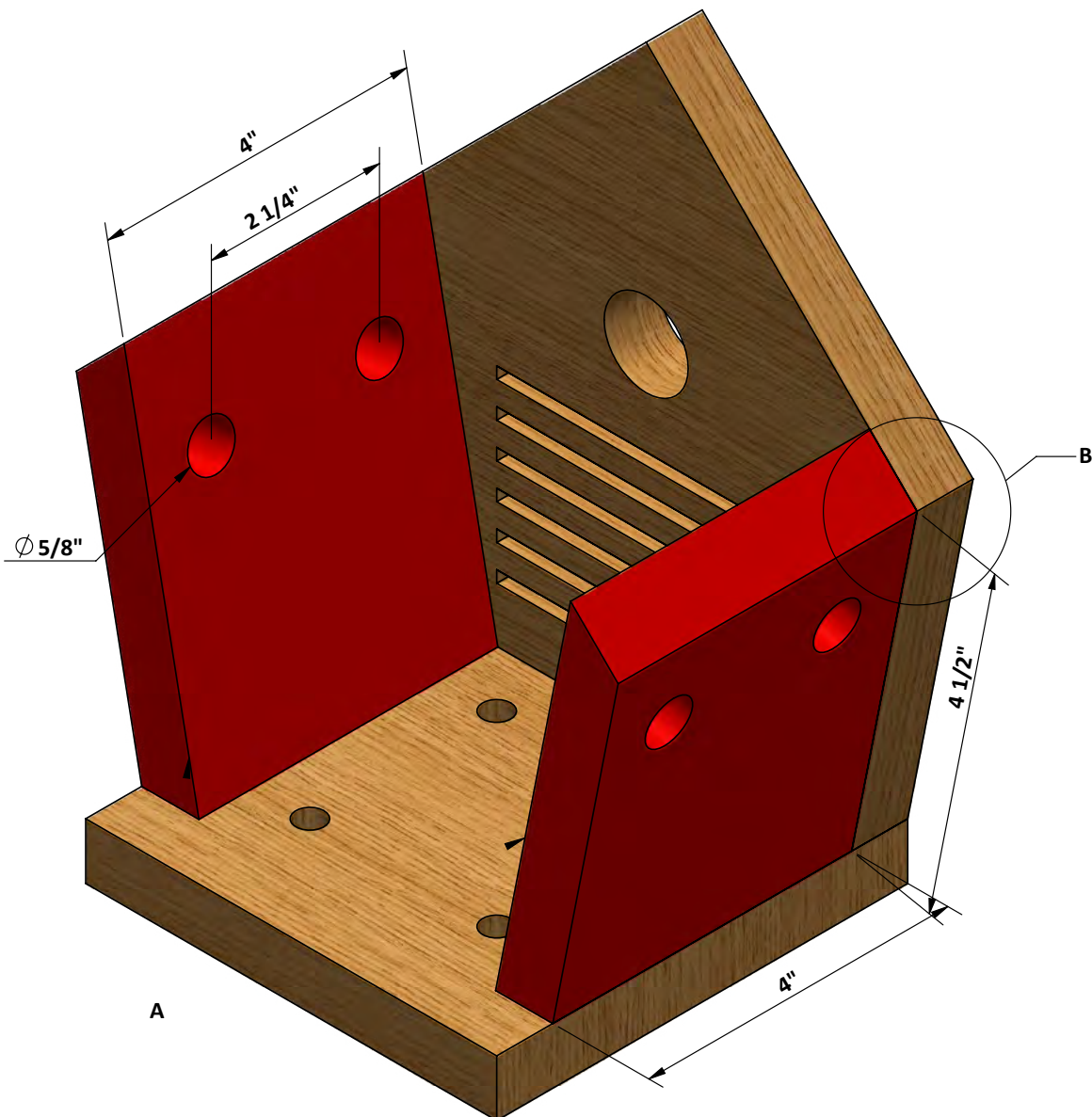
2.1 Assemble the side panels using 1 x 6 cedar board.

2.2 Cut two 5/8" ventilation holes near the top in the left and right panels each according to the illustration below.

2.3 Cut the top edge at a 34 degree angle and bottom edge at a 11 degree angle according to the illustration below.

2.4 Secure all the side panels with #8 x 1 1/2" stainless steel screws.

Pos	Description	Material	Dimension	Qty
A	Side panels	Cedar board 1 x 6	5 1/8"	2



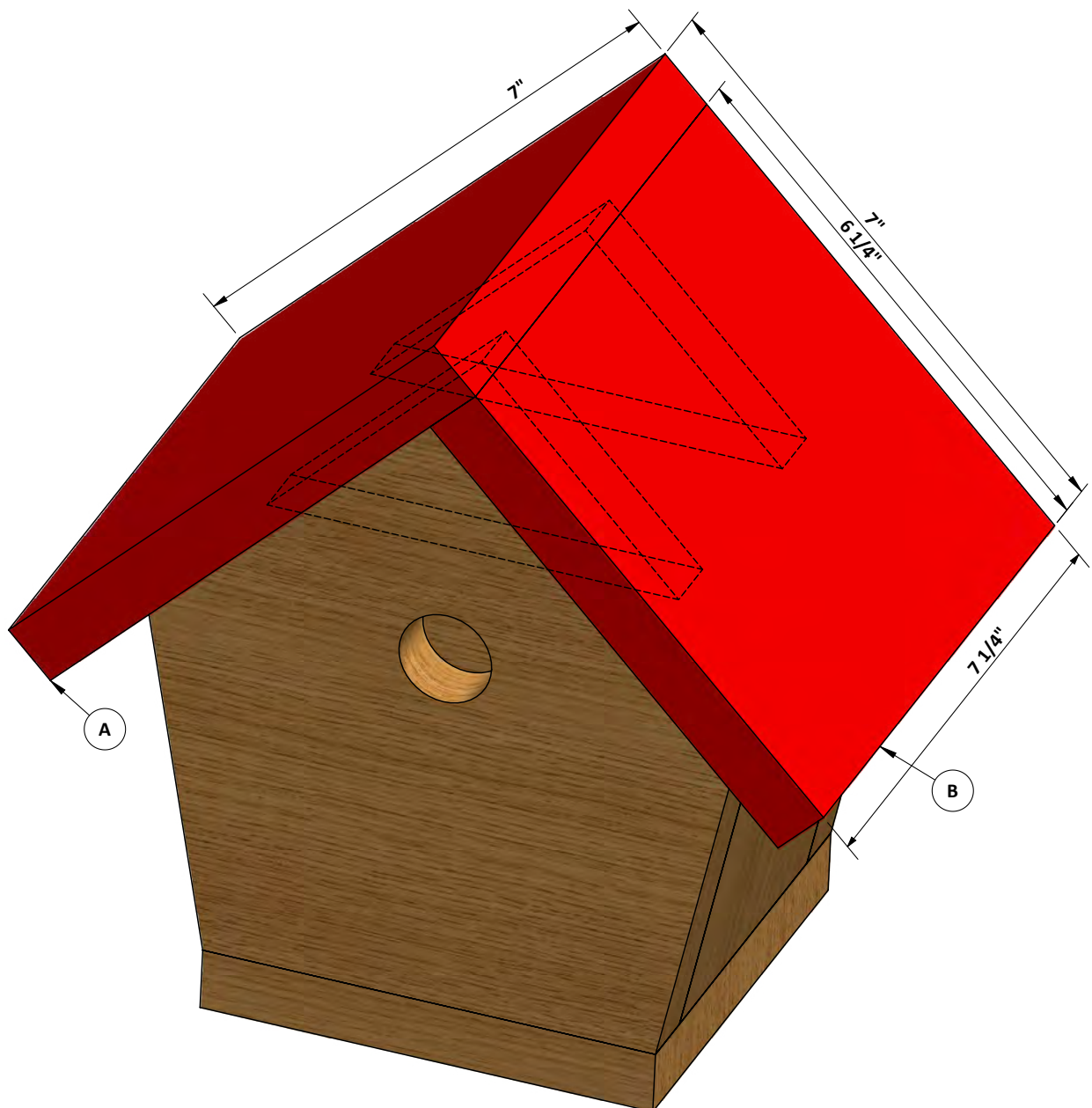
## STEP 3

### Roof Panel Assembly

**3.1** Using 1 x 8 boards, assemble a removable roof. To do this, prepare two boards for the roof slopes and two connecting pieces shaped like isosceles triangles according to the illustration below. The roof will be held in place by the tight fit of the triangular pieces between the front and back walls.

**3.2** Secure them with #8 x 1 1/2" stainless steel screws.

Pos	Description	Material	Dimension	Qty
A	Roof panel	Cedar Board (1 x 8)	7"	1
B	Roof panel	Cedar Board (1 x 8)	6 1/4"	1
C	Plank	Cedar Board (1 x 6)	2 1/2"	2



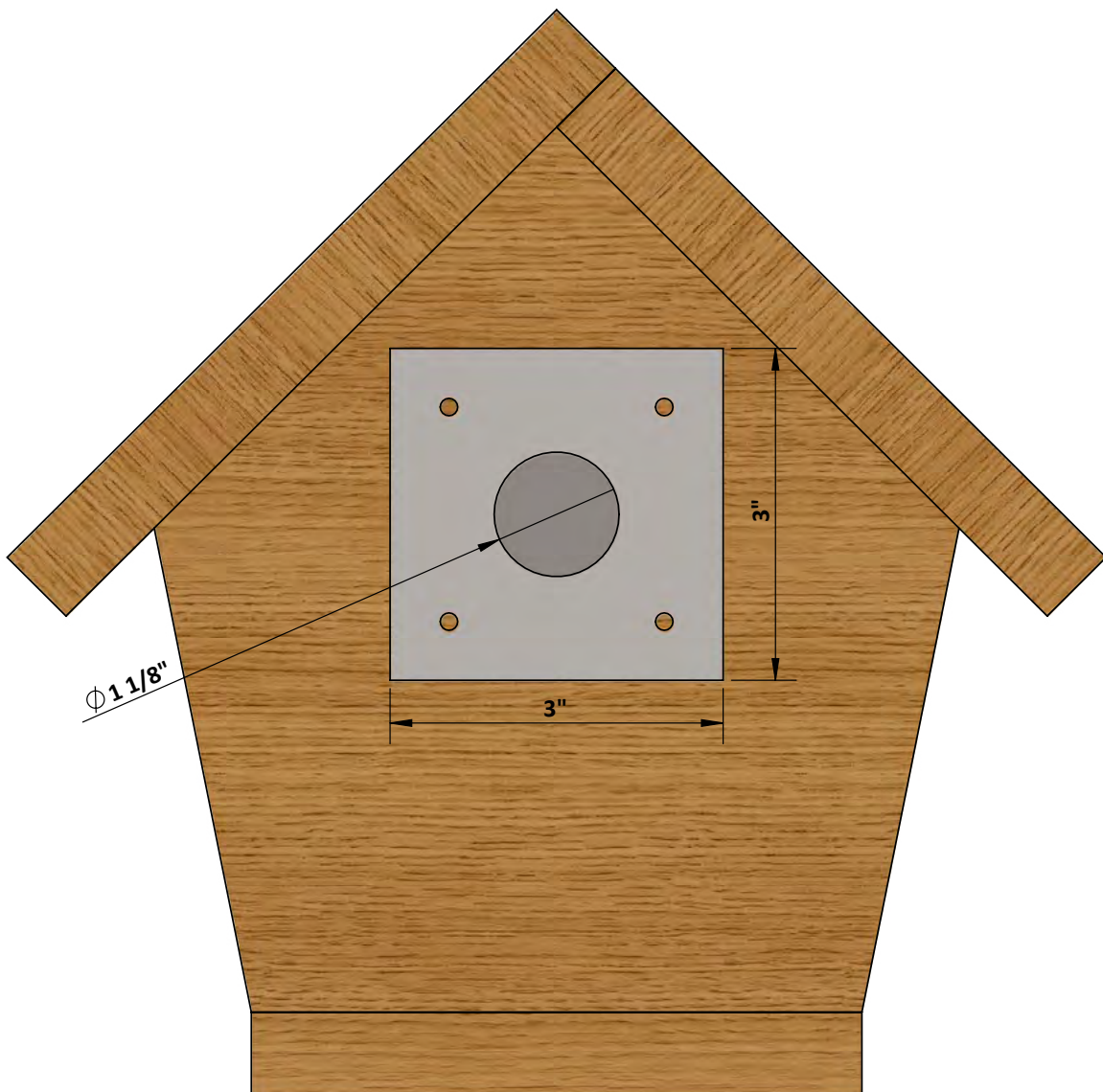
## STEP 4

### Entrance Hole Guard Assembly

4.1 Assemble the 3" x 3" with 1 1/8" metallic entrance hole guard.

4.2 Secure the hole guard with #8 x 1/2" stainless steel screws.

4.3 This design intentionally does not include an exterior perch. Native cavity-nesting birds do not need it, and it can make the nest easier for predators or invasive birds to access.



## STEP 5

# Thank You

Thank you for building this simple wren house and supporting a safe nesting space for wrens!





For more great **HOW-TO** plans please visit: <https://craft.camp>

## **Copyright**

The text and illustrations that appear here are the exclusive property of craft.camp and are protected by federal copyright laws. The duplication, sale or distribution of any portion of these plans without prior written consent from the original designer will be subject to the appropriate penalties for copyright infringement. Sharing this plan on the web is only permitted with an indicated original source: <https://craft.camp>