



Free Large Wren House Plan

Free vs. Premium Plan: What's the Difference?

We offer both free and premium versions of our detailed shed plans, designed to fit your needs and budget. Check out the table below to see the key differences and choose the plan that's right for you:

Features	Free Plan	Premium Plan
Metric measurements	X	✓
Illustrations per Step	Limited	Every Step
Print Ready Format	X	✓
Step-by-Step Instructions	Basic	Comprehensive
Full Materials & Cutting List	X	✓
Additional Illustrations	X	✓
Additional Blueprints	X	✓
Tools List	X	✓
Fastening Elements List	X	✓
Technical Support	X	✓

[Try Premium Risk-Free](#)

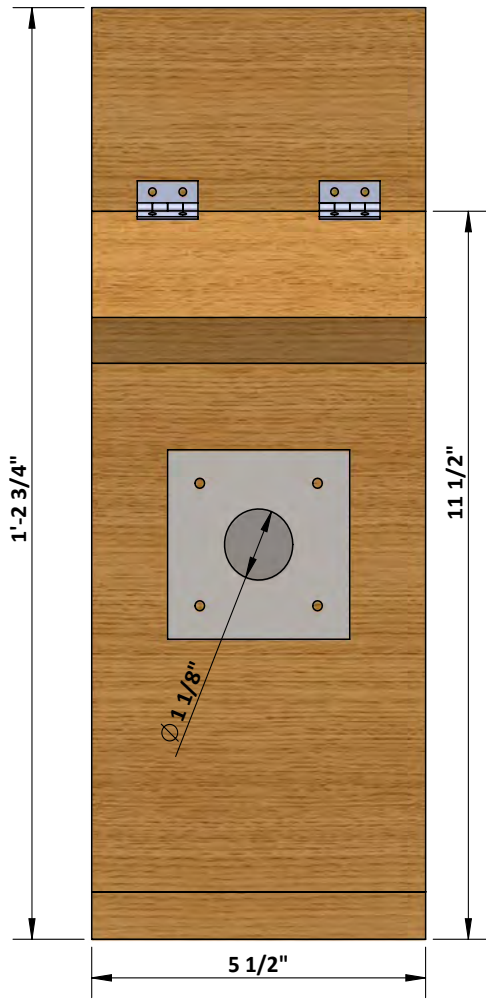
30-day refund policy with no questions asked.

Large Wren House Shopping List

Material	Unit	Qty	Size
Cedar Board (1 x 6)	Pcs	1	6'
#8 x 1 1/2" Stainless Steel Screws	Pcs	40	

Size & Dimensions

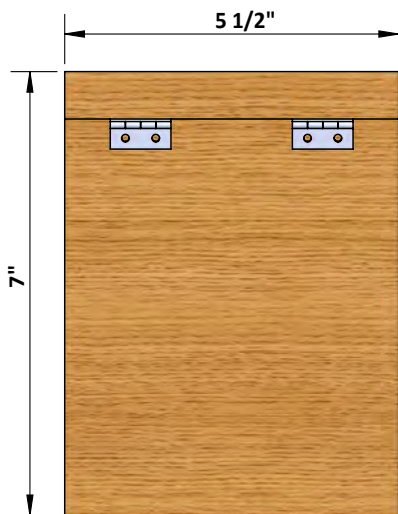
Front



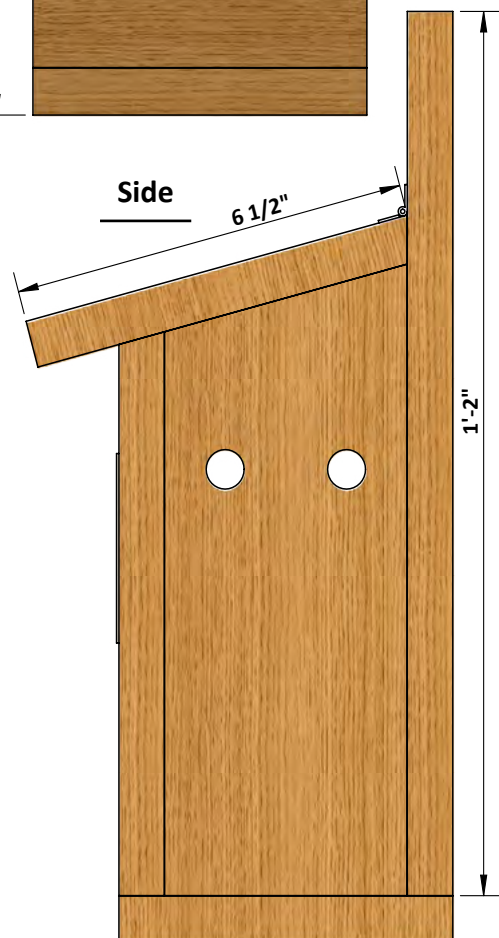
Back



Top



Side



Model View



Model View-Open



STEP 1

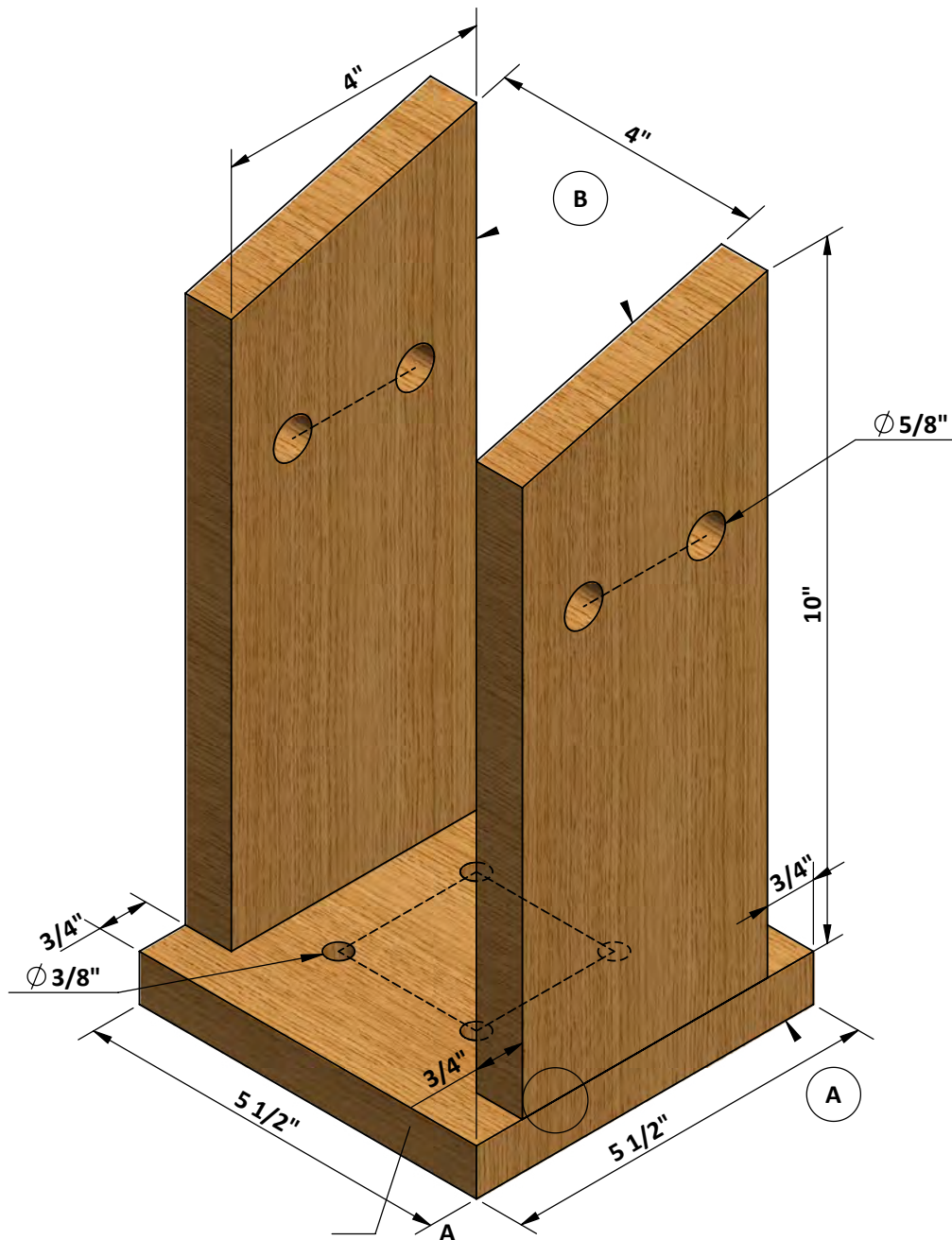
Side and Bottom Panel Assembly

1.1 Assemble the left, right and bottom panel using 1 x 6 cedar board.

1.2 Make two $\frac{5}{8}$ " ventilation holes near the top in the left and right panels each and four $\frac{3}{8}$ " drainage holes in the bottom panel according to the illustration below.

1.3 Secure all the panels with #8 x 1 $\frac{1}{2}$ " stainless steel screws.

Pos	Description	Material	Dimension	Qty
A	Bottom panel	Cedar board 1 x 6	5 $\frac{1}{2}$ "	1
B	Side panels	Cedar board 1 x 6	10"	2



STEP 2

Front Panel Assembly

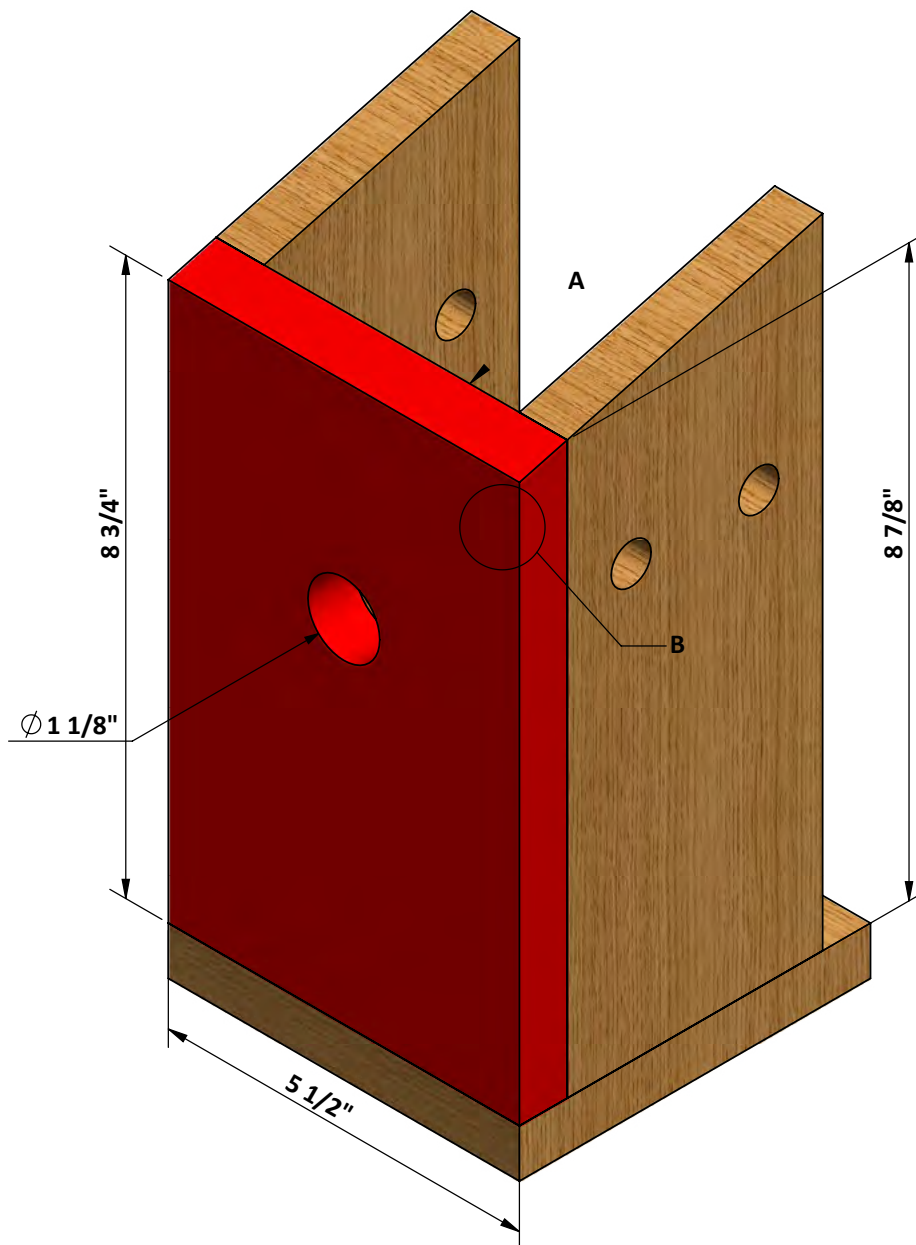
2.1 Assemble the front panel using 1 x 6 cedar board.

2.2 Make 1 1/8" entrance hole in the front panel according to the illustration below.

2.3 Cut 1/8" x 1/8" grooves inside the front panel to help young birds climb out.

2.4 Secure all the front panel with #8 x 1 1/2" stainless steel screws.

Pos	Description	Material	Dimension	Qty
A	Front panel	Cedar board 1 x 6	8 7/8"	1



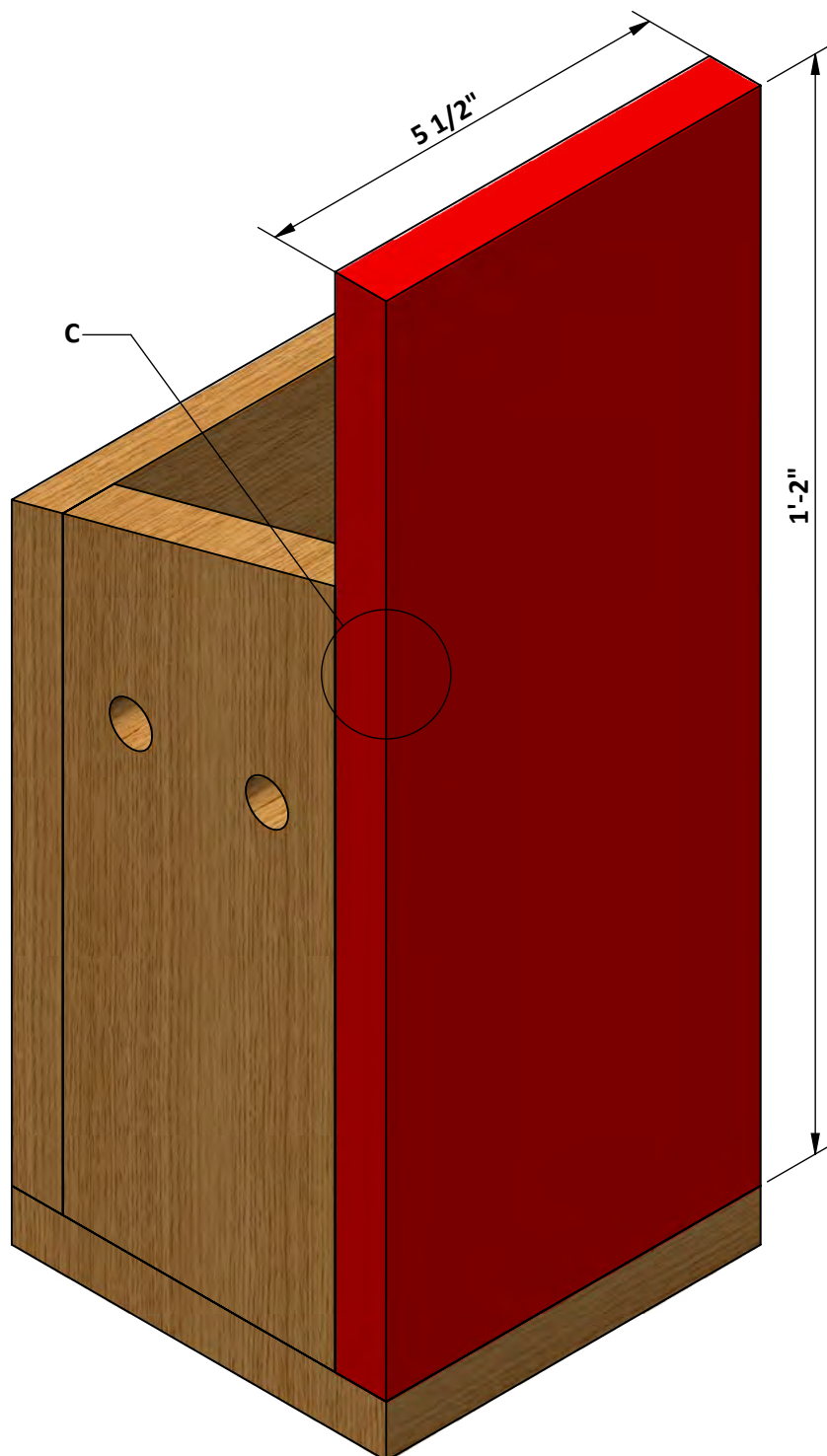
STEP 3

Back Panel Assembly

3.1 Assemble the back panel using 1 x 6 cedar board.

3.2 Secure all the back panel with #8 x 1 1/2" stainless steel screws.

Pos	Description	Material	Dimension	Qty
A	Back panel	Cedar board 1 x 6	1'-2"	1



STEP 4

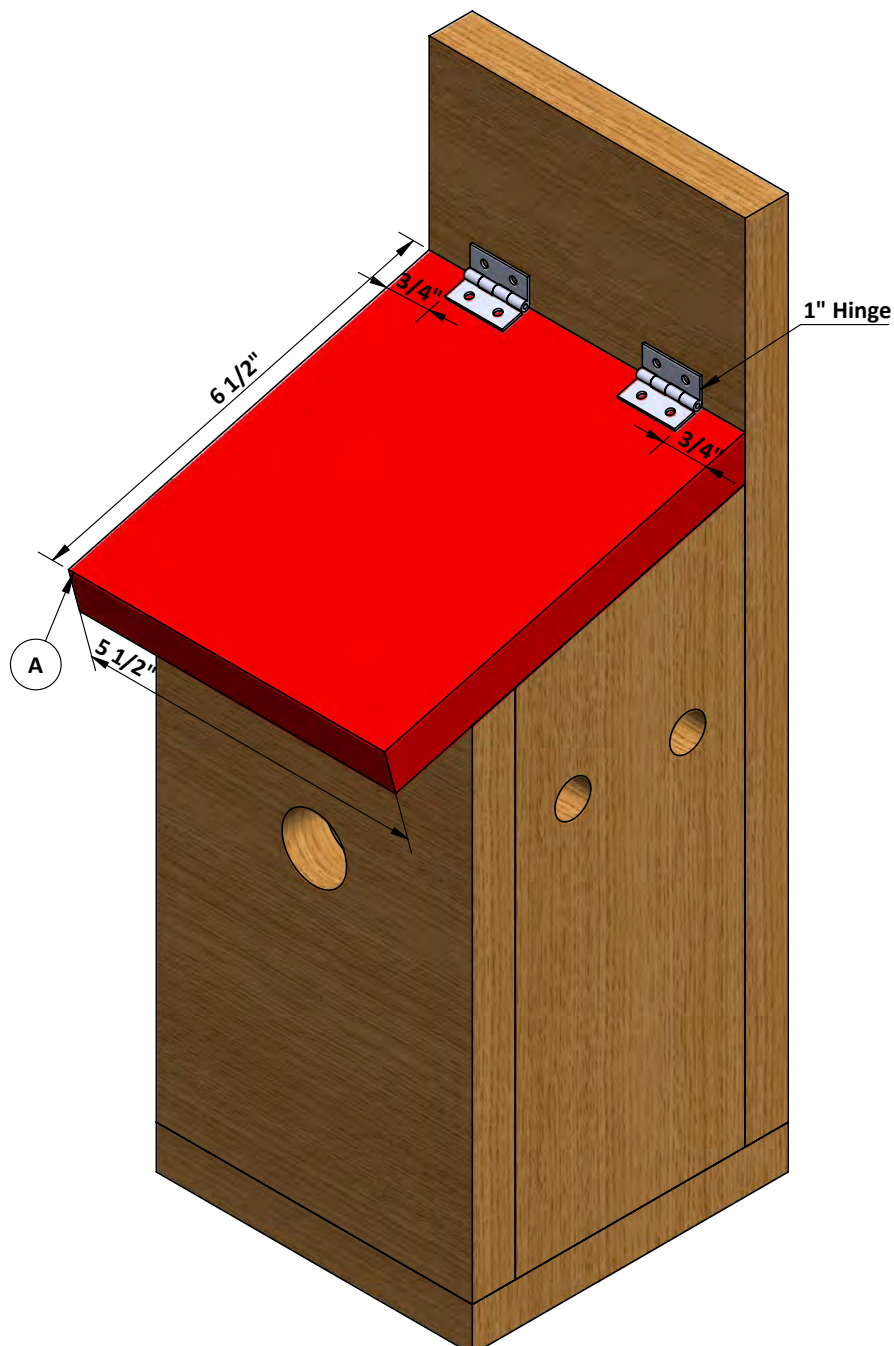
Roof Board Assembly

4.1 Assemble the roof using 1 x 6 cedar board.

4.2 Cut the plank 3/4" wide from a 1x6 cedar board and install it underneath the roof board to ensure the lid closes securely and secure with #8 x 1" stainless steel screws.

4.3 Secure the roof board with back panel using 1" hinges according to the illustration below.

Pos	Description	Material	Dimension	Qty
A	Roof board	Cedar Board (1 x 6)	6 1/2 "	1
B	Roof beam	Cedar Board (1 x 6)	3/4"	1



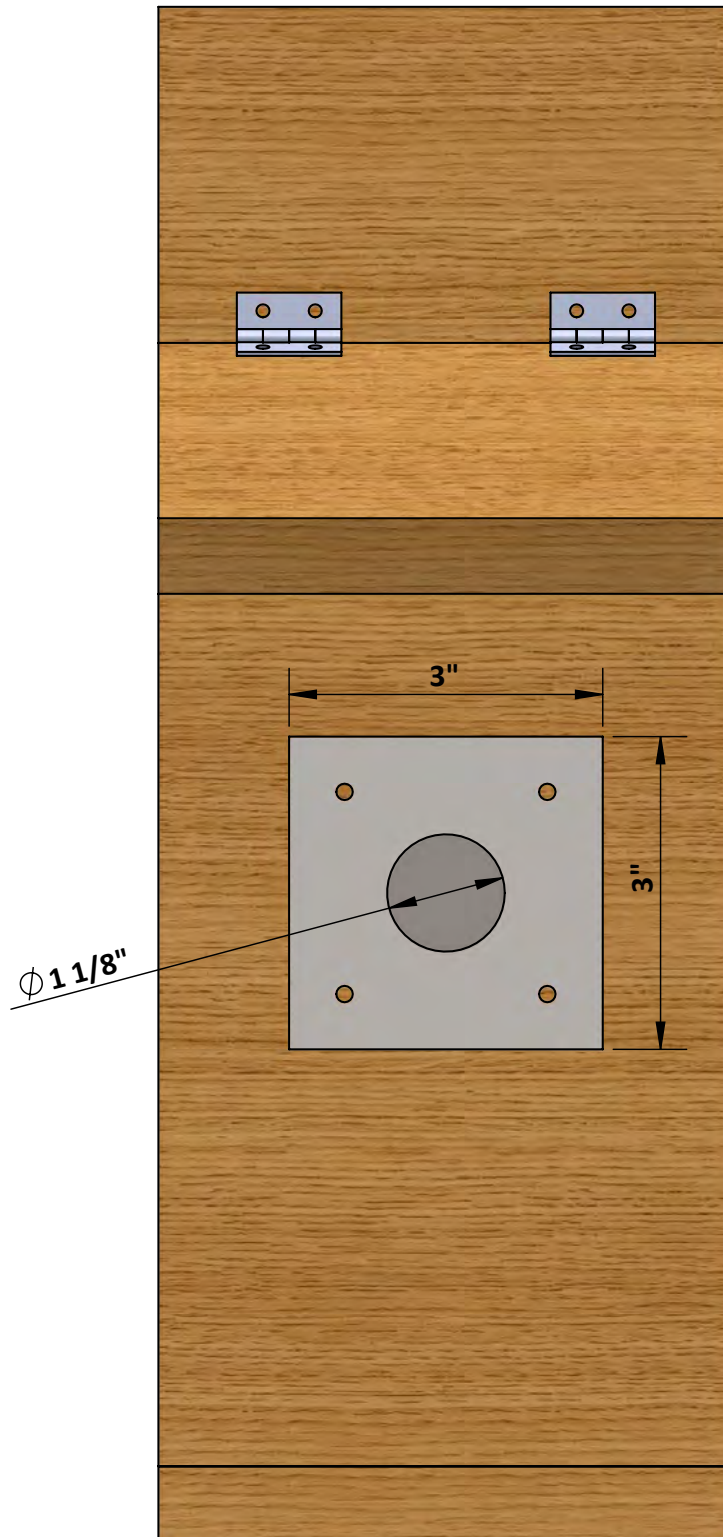
STEP 5

Entrance Hole Guard Assembly

5.1 Assemble the 3" x 3" with 1 1/8" metallic entrance hole guard.

5.2 Secure the hole guard with #8 x 1/2" stainless steel screws.

5.3 This design intentionally does not include an exterior perch. Native cavity-nesting birds do not need it, and it can make the nest easier for predators or invasive birds to access.



STEP 6

Thank You

Thank you for building this large wren house and supporting a safe nesting space for wren!





For more great **HOW-TO** plans please visit: <https://craft.camp>

Copyright

The text and illustrations that appear here are the exclusive property of craft.camp and are protected by federal copyright laws. The duplication, sale or distribution of any portion of these plans without prior written consent from the original designer will be subject to the appropriate penalties for copyright infringement. Sharing this plan on the web is only permitted with an indicated original source: <https://craft.camp>