



**Free 8' x 3' Movable Outdoor Bar Plan**

---

# Free vs. Premium Plan: What's the Difference?

We offer both free and premium versions of our detailed shed plans, designed to fit your needs and budget. Check out the table below to see the key differences and choose the plan that's right for you:

Features	Free Plan	Premium Plan
Metric measurements	X	✓
Illustrations per Step	Limited	Every Step
Print Ready Format	X	✓
Step-by-Step Instructions	Basic	Comprehensive
Full Materials & Cutting List	X	✓
Additional Illustrations	X	✓
Additional Blueprints	X	✓
Tools List	X	✓
Fastening Elements List	X	✓
Technical Support	X	✓

[Try Premium Risk-Free](#)

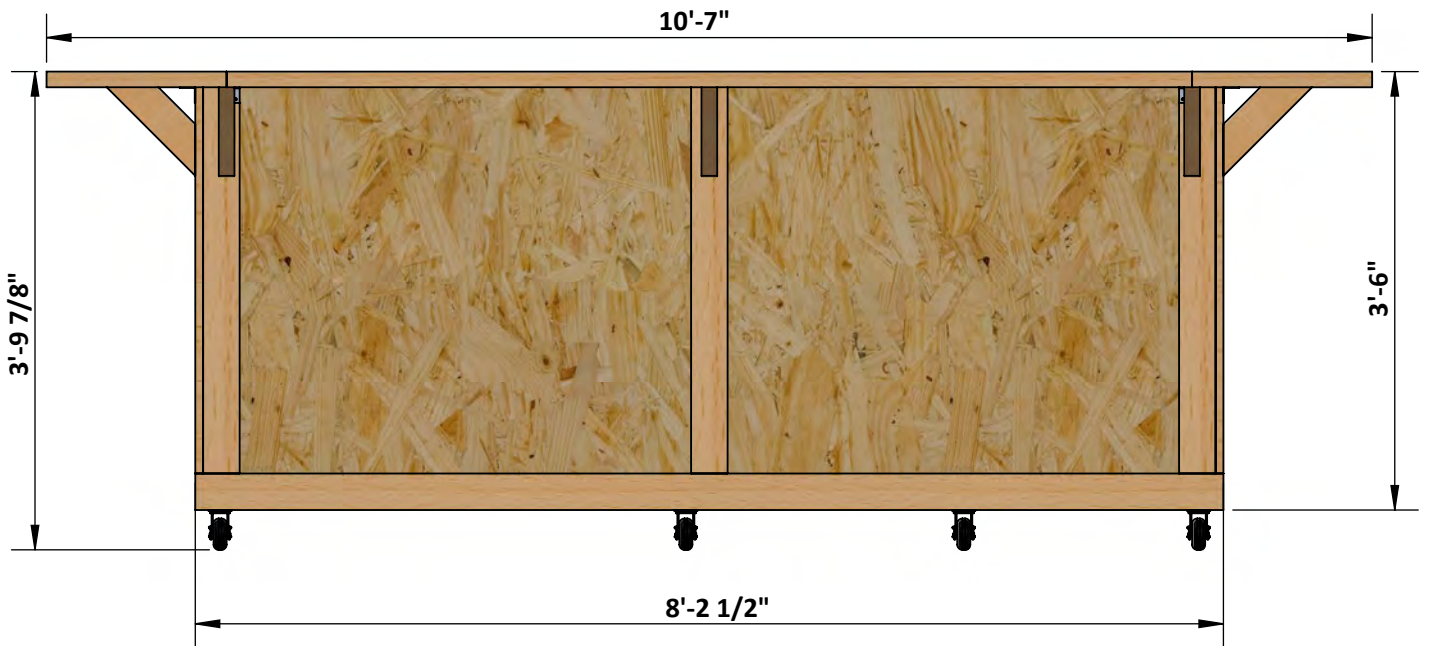
30-day refund policy with no questions asked.

## 8' x 3' Garden Bar shopping list

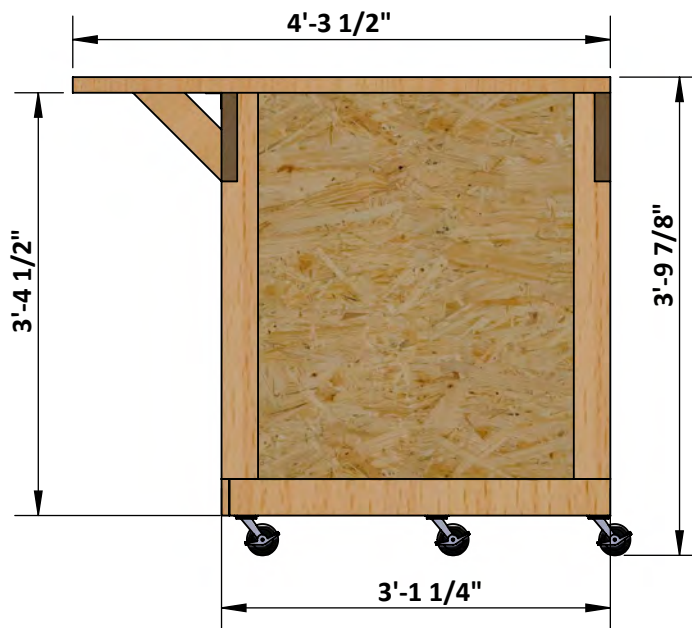
Materials	Unit	Qty	Size
Lumber (4 x 4)	pcs	1	10'
Lumber (2 x 4)	pcs	2	10'
Lumber (2 x 4)	pcs	5	8'
Lumber (2 x 4)	pcs	6	6'
Lumber (1 x 4)	pcs	4	10'
Plywood 3/4	pcs	1	8' x 4'
OSB 1/2	pcs	2	8' x 4'
Butcher Block 1 1/2"	pcs	2	8' x 2'-1"

# Size & Dimensions

Front

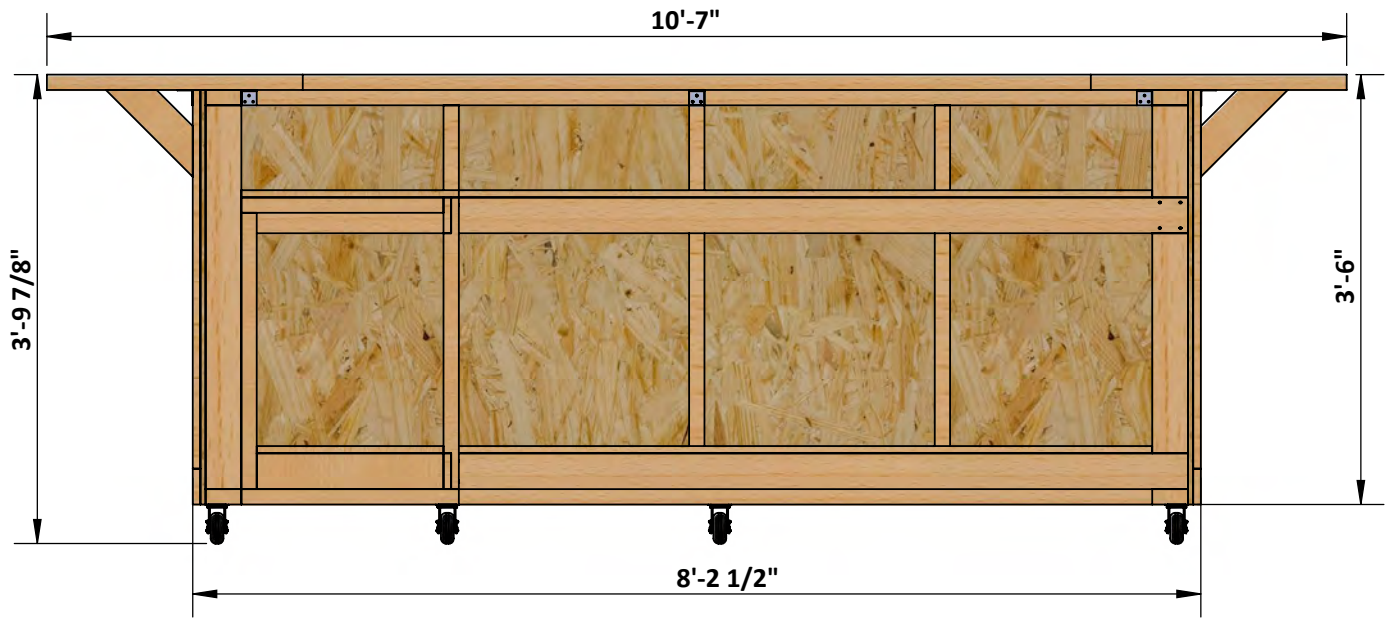


Right

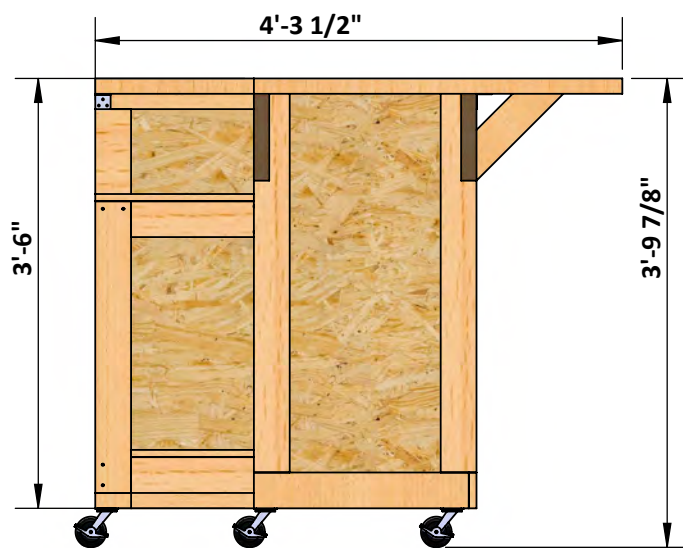


# Size & Dimensions

Rear

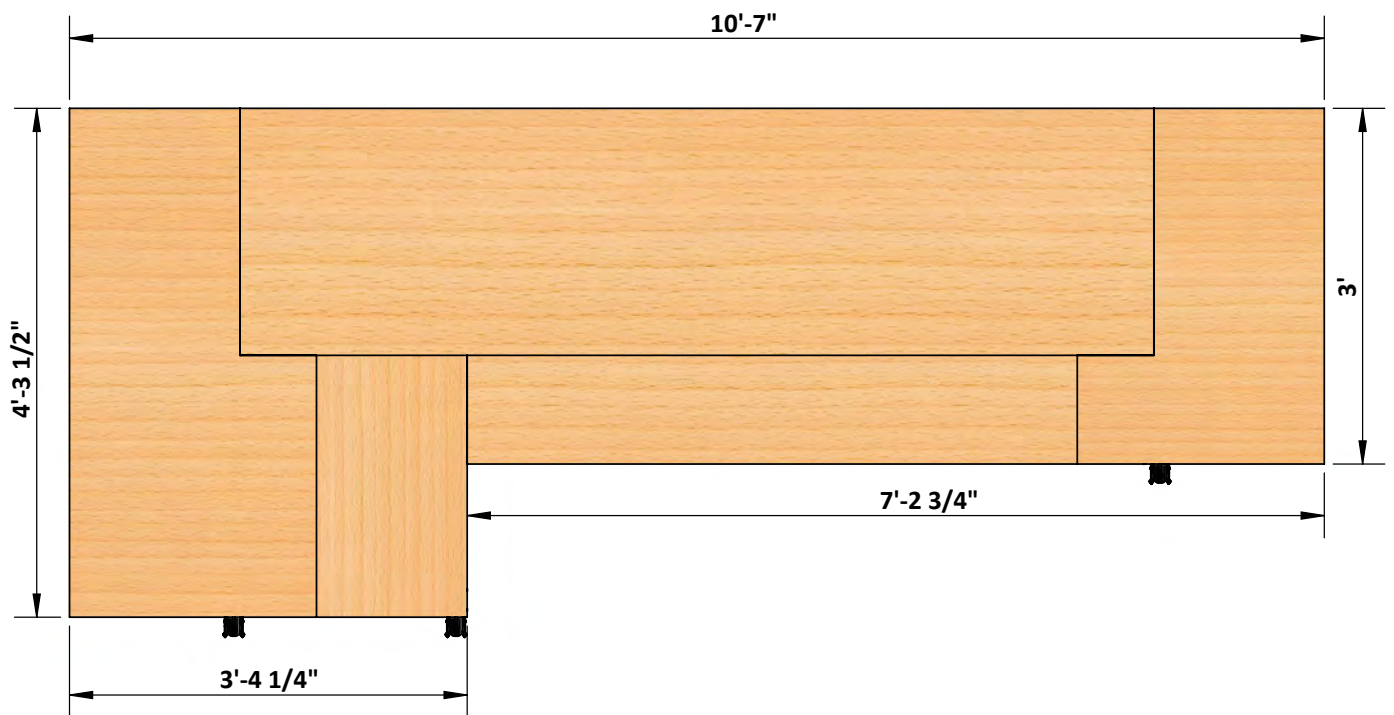


Le



# Size & Dimensions

Top



# Model View



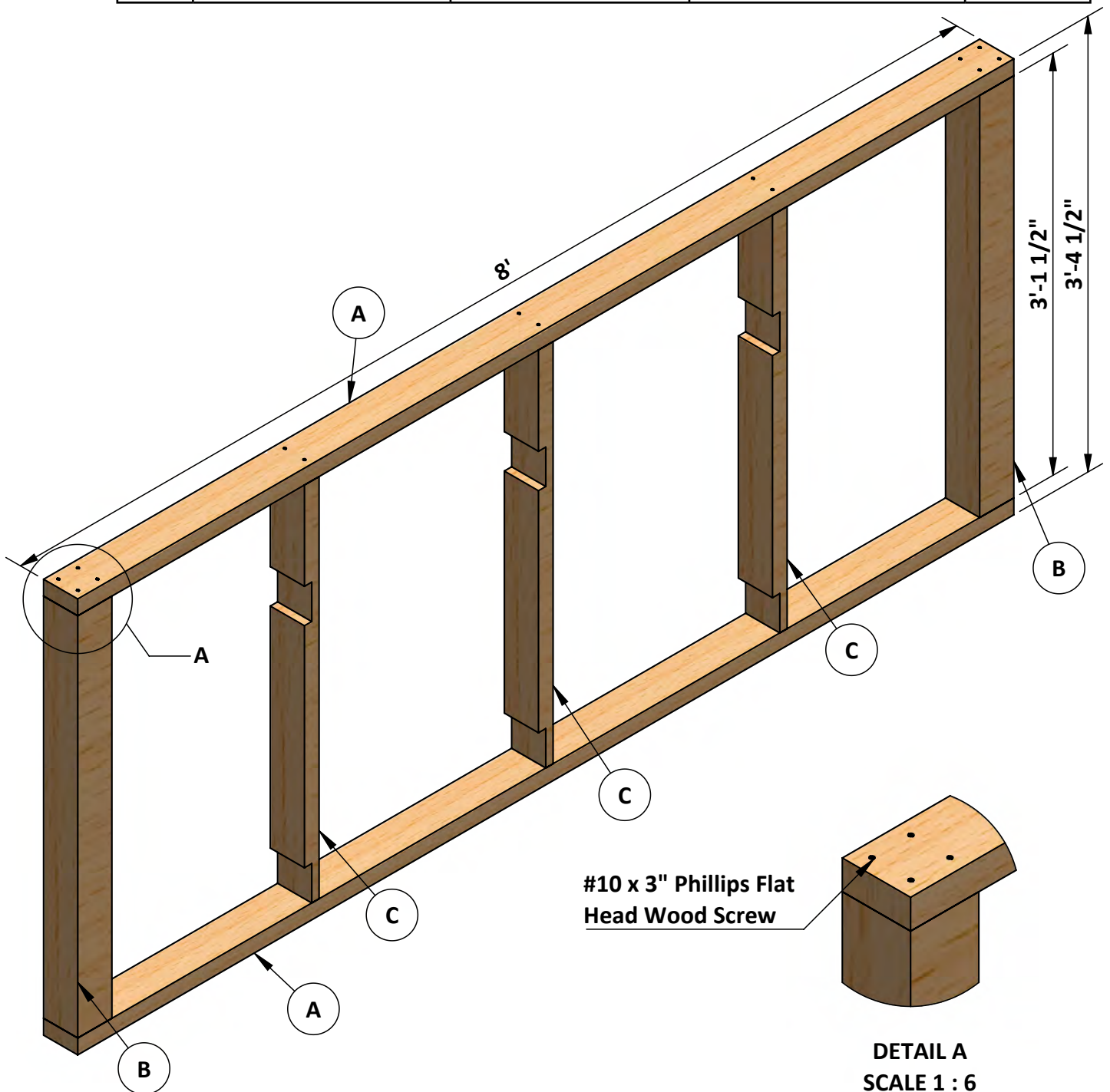
## STEP 1

# Outdoorbar Front Frame Assembly

1.1 Assemble the front frame using 4 x 4 lumbers and 2 x 4 lumbers.

1.2 Secure the lumbers with #10 x 3" phillips flat head wood screws.

Pos	Description	Material	Dimension	Qty
A	Top/bottom bars	Lumber ( 2 x 4 )	8'	2
B	Left/right bars	Lumber ( 4 x 4 )	3'-1 1/2"	2
C	Middle bars	Lumber ( 2 x 4 )	3'-1 1/2"	3



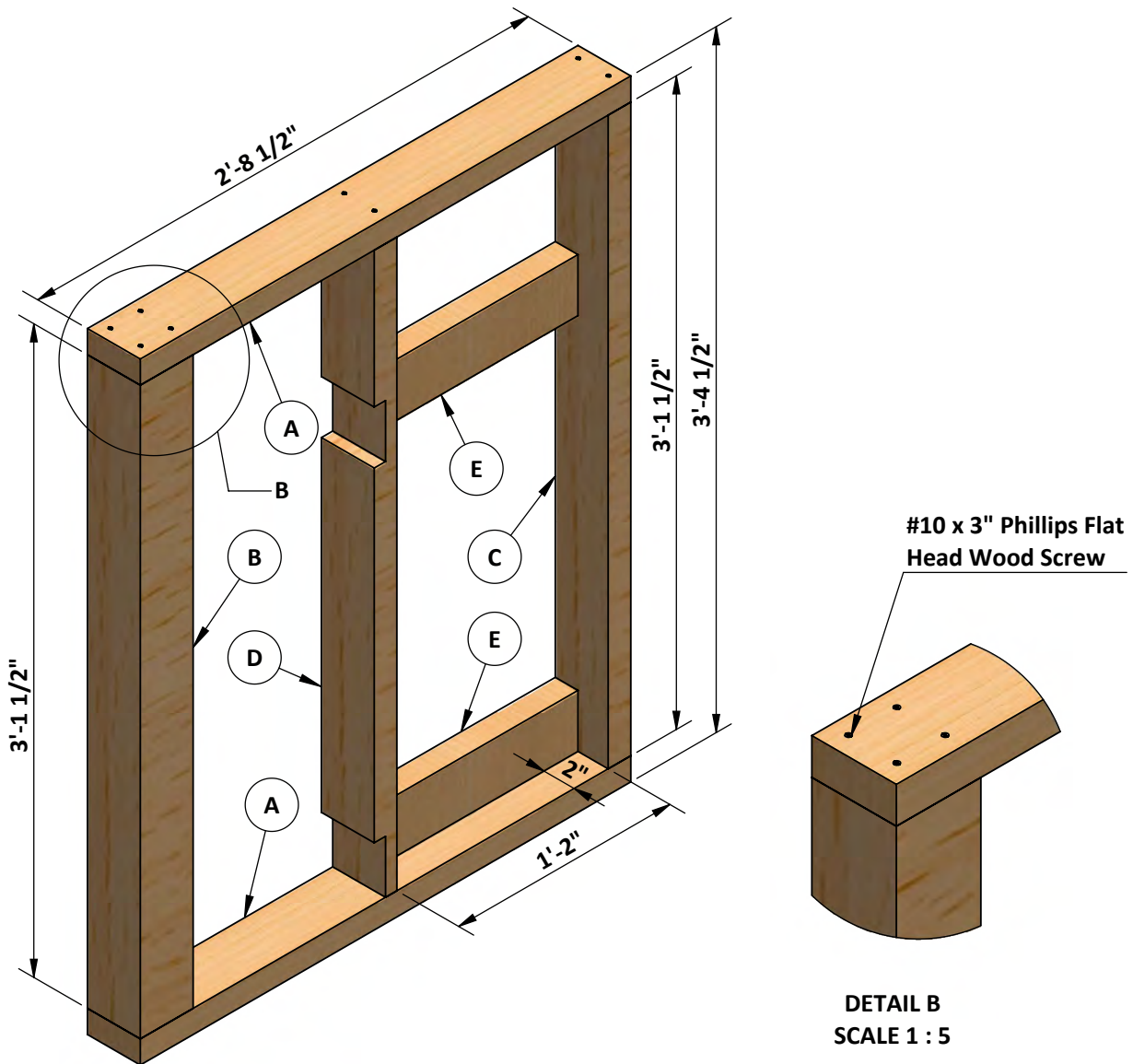
## STEP 2

# Outdoorbar Left Frame Assembly

2.1 Assemble the left frame using 4 x 4 lumbers and 2 x 4 lumbers.

2.2 Secure the lumbers with #10 x 3" phillips flat head wood screws.

Pos	Description	Material	Dimension	Qty
A	Top/bottom bars	Lumber ( 2 x 4 )	2'-8 1/2"	2
B	Left bar	Lumber ( 4 x 4 )	3'-1 1/2"	1
C	Right bar	Lumber ( 2 x 4 )	3'-1 1/2"	1
D	Middle bar	Lumber ( 2 x 4 )	3'-1 1/2"	1
E	Inside bars	Lumber ( 2 x 4 )	1'-2"	2



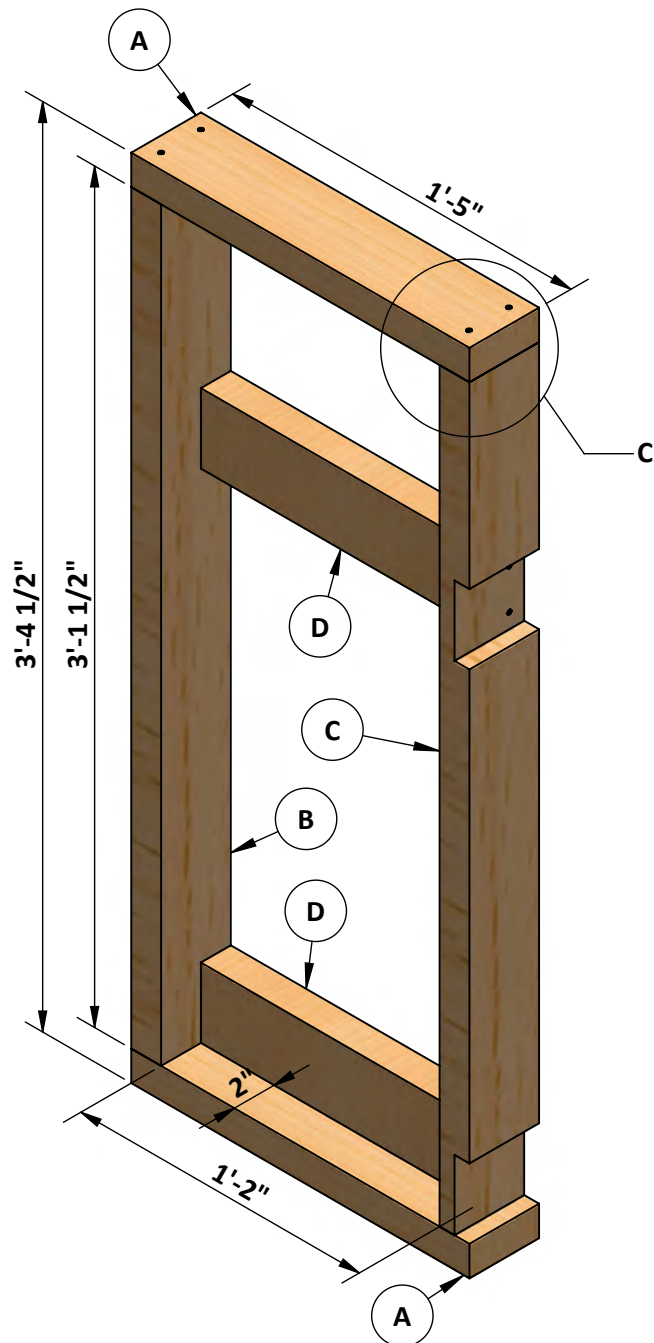
## STEP 3

# Outdoorbar Right Frame Assembly

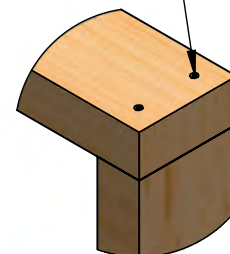
3.1 Assemble the right frame using 2 x 4 lumbers.

3.2 Secure the lumbers with #10 x 3" phillips flat head wood screws.

Pos	Description	Material	Dimension	Qty
A	Top/bottom bars	Lumber ( 2 x 4)	1'-5"	2
B	Right bar	Lumber ( 2 x 4)	3'-1 1/2"	1
C	Left bar	Lumber ( 2 x 4)	3'-1 1/2"	1
D	Inside bars	Lumber ( 2 x 4)	1'-2"	2



#10 x 3" Phillips Flat  
Head Wood Screw



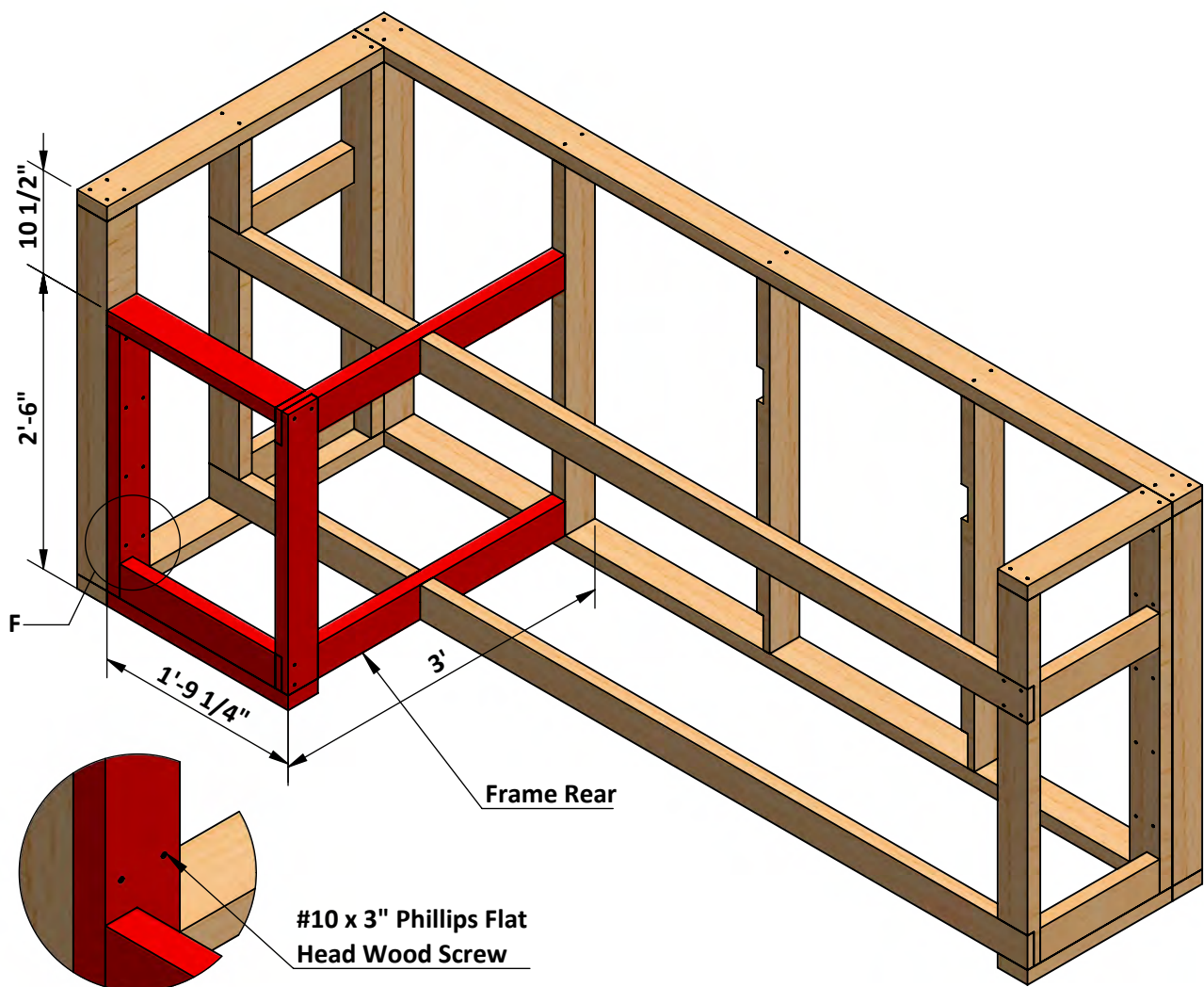
## STEP 4

# Outdoorbar Rear Frame Assembly

4.1 Assemble the rear frame using 2 x 4 lumbers.

4.2 Secure the lumbers with #10 x 3" phillips flat head wood screws.

Pos	Description	Material	Dimension	Qty
A	Bottom bars	Lumber ( 2 x 4 )	1'-9 1/4"	1
B	Left bar	Lumber ( 2 x 4 )	2'-3"	1
C	Top bar	Lumber ( 2 x 4 )	1'-7 3/4"	1
D	Middle bar	Lumber ( 2 x 4 )	2'-4 1/2"	1
E	Inside bars	Lumber ( 2 x 4 )	1'-6 1/4"	1
F	Joist	Lumber ( 2 x 4 )	3'	2



DETAIL F  
SCALE 1 : 6

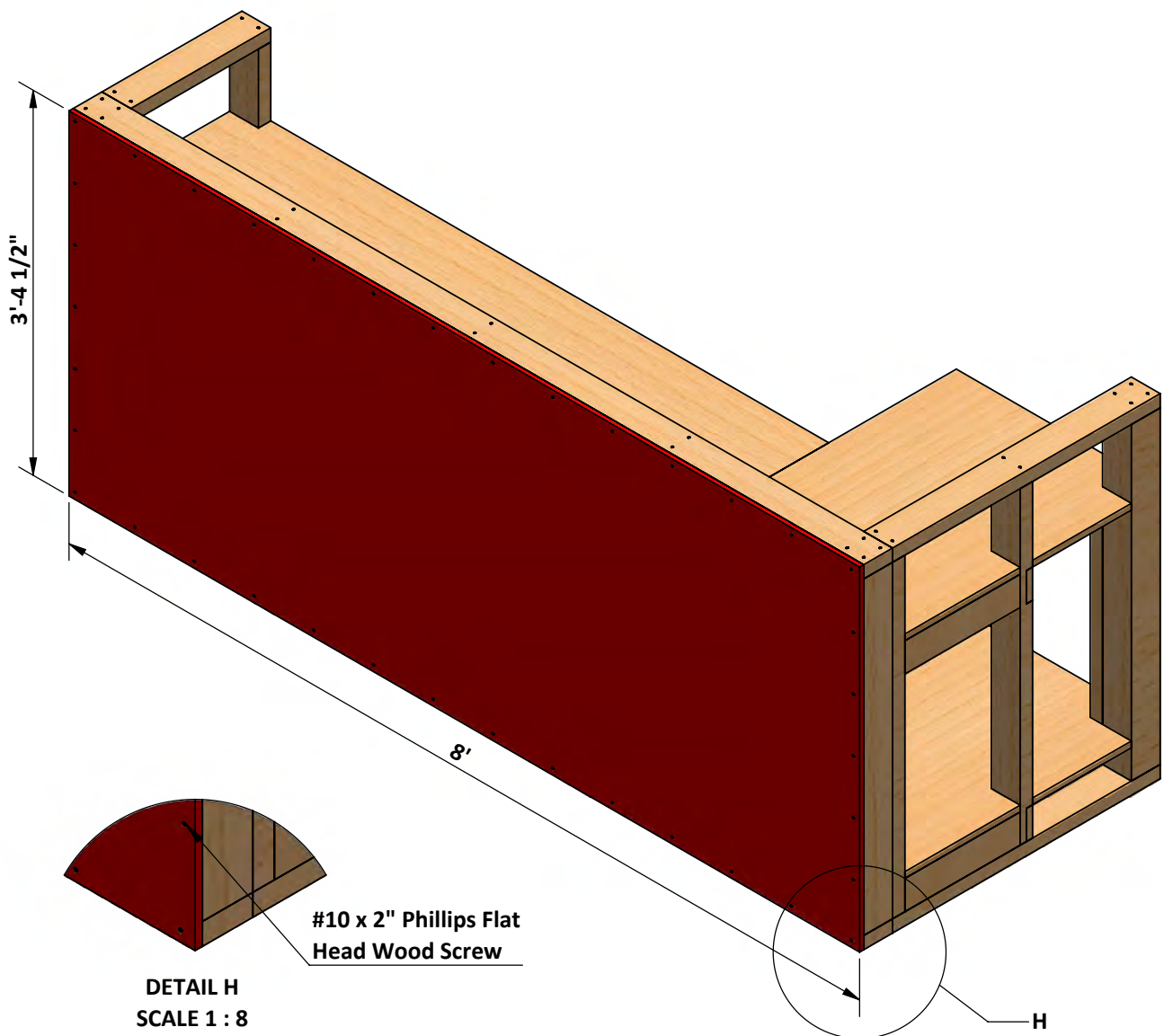
## STEP 5

# Frame Wall Sheathing Assembly

5.1 Assemble frame wall sheathing using 1/2" OSB according to the illustration below.

5.2 Secure the OSB with #10 x 2" phillips flat head wood screws.

Pos	Description	Material	Dimension	Qty
A	Front wall	OSB 1/2	8' x 3'-4 1/2"	1
B	Right wall	OSB 1/2	1'-9" x 3'-4 1/2"	1
C	Left wall	OSB 1/2	3'-1/2" x 3'-4 1/2"	1



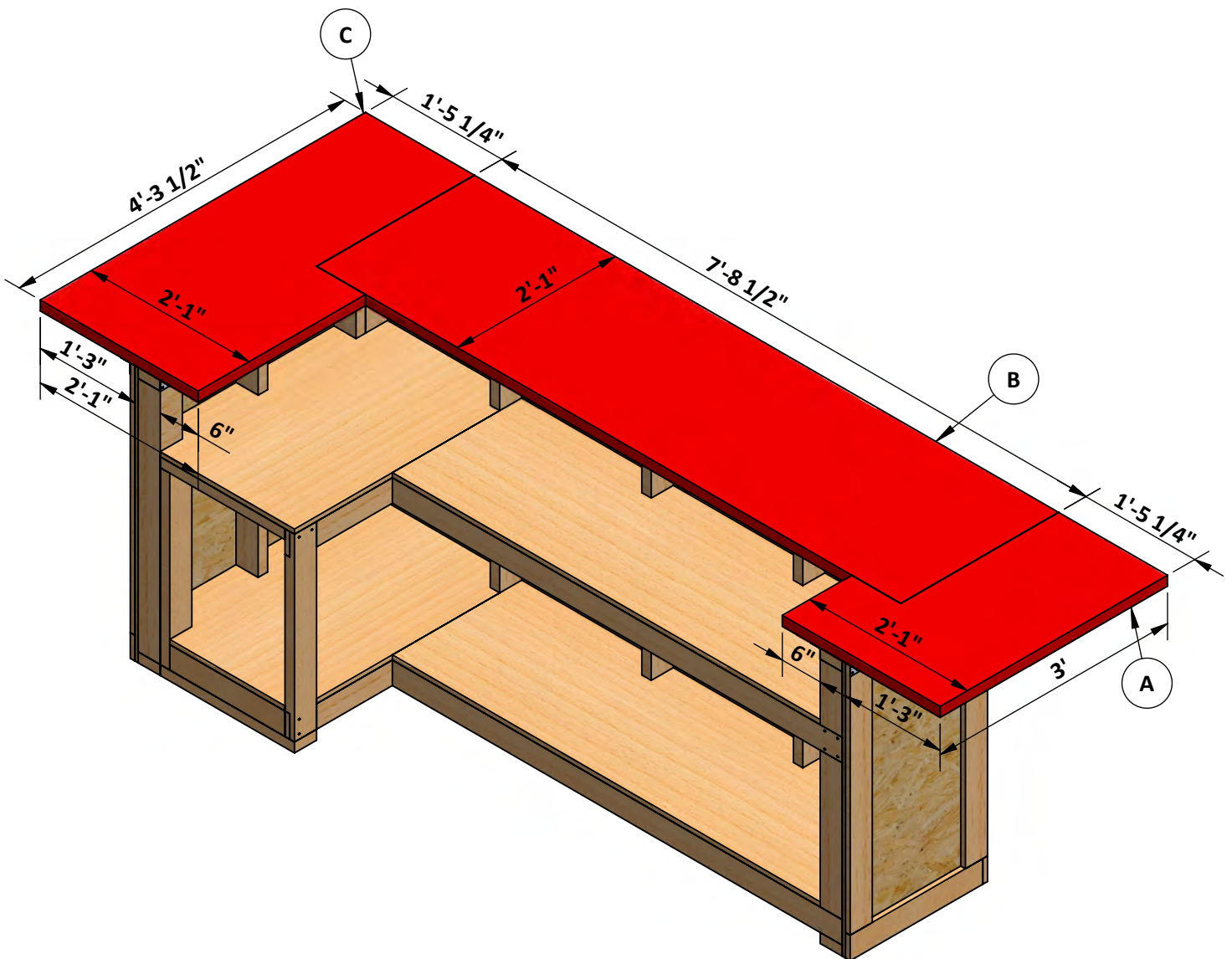
## STEP 6

# Outdoorbar Table Top Assembly

6.1 Assemble the table top using butcher block 1 1/2" according to the illustration below.

6.2 Secure the butcher block with 1 1/2" corner bracer and #10 x 1" phillips flat head wood screws.

Pos	Description	Material	Dimension	Qty
A	Table top	Butcher Block 1 1/2"	3' x 2'-1"	1
B	Table top	Butcher Block 1 1/2"	7'-8 1/2" x 2'-1"	1
C	Table top	Butcher Block 1 1/2"	4'-3 1/2" x 2'-1"	1



## STEP 7

### Final Touches

Now that your garden bar table is all done, you are ready to decorate it any way you want using your favorite paint, stain, or preservative.



# Free vs. Premium Plan: What's the Difference?

We offer both free and premium versions of our detailed shed plans, designed to fit your needs and budget. Check out the table below to see the key differences and choose the plan that's right for you:

Features	Free Plan	Premium Plan
Metric measurements	X	✓
Illustrations per Step	Limited	Every Step
Print Ready Format	X	✓
Step-by-Step Instructions	Basic	Comprehensive
Full Materials & Cutting List	X	✓
Additional Illustrations	X	✓
Additional Blueprints	X	✓
Tools List	X	✓
Fastening Elements List	X	✓
Technical Support	X	✓

[Try Premium Risk-Free](#)

30-day refund policy with no questions asked.



For more great **HOW-TO** plans please visit: <https://craft.camp>

## **Copyright**

The text and illustrations that appear here are the exclusive property of craft.camp and are protected by federal copyright laws. The duplication, sale or distribution of any portion of these plans without prior written consent from the original designer will be subject to the appropriate penalties for copyright infringement. Sharing this plan on the web is only permitted with an indicated original source: <https://craft.camp>