



**Free 2' x 6' Cold Frame Plan**

---

# Free vs. Premium Plan: What's the Difference?

We offer both free and premium versions of our detailed shed plans, designed to fit your needs and budget. Check out the table below to see the key differences and choose the plan that's right for you:

| Features                      | Free Plan | Premium Plan  |
|-------------------------------|-----------|---------------|
| Metric measurements           | X         | ✓             |
| Illustrations per Step        | Limited   | Every Step    |
| Print Ready Format            | X         | ✓             |
| Step-by-Step Instructions     | Basic     | Comprehensive |
| Full Materials & Cutting List | X         | ✓             |
| Additional Illustrations      | X         | ✓             |
| Additional Blueprints         | X         | ✓             |
| Tools List                    | X         | ✓             |
| Fastening Elements List       | X         | ✓             |
| Technical Support             | X         | ✓             |

[Try Premium Risk-Free](#)

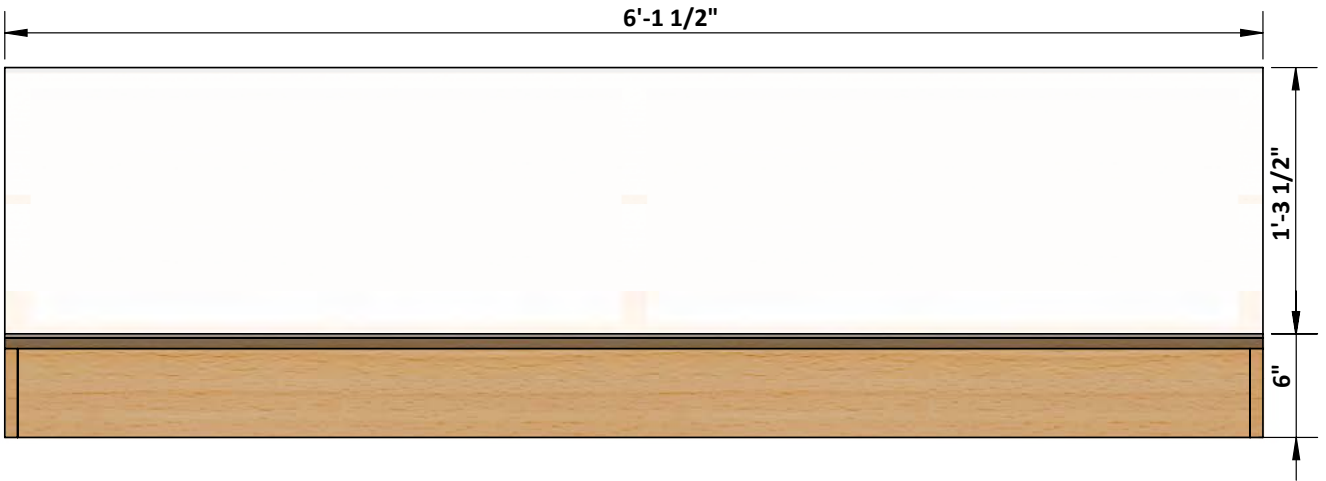
30-day refund policy with no questions asked.

## 2' x 6' Greenhouse Shopping List

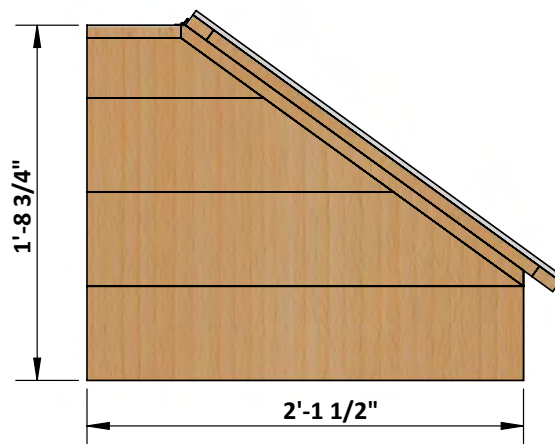
| <b>Materials</b> | <b>Unit</b> | <b>Qty</b> | <b>Size</b> |
|------------------|-------------|------------|-------------|
| Lumber (2 x 2)   | Pcs         | 1          | 8'          |
| Lumber (2 x 2)   | Pcs         | 4          | 6'          |
| Lumber (1 x 6)   | Pcs         | 2          | 8'          |
| Lumber (1 x 6)   | Pcs         | 5          | 6'          |
| Lumber (1 x 4)   | Pcs         | 2          | 6'          |
| Lumber (1 x 2)   | Pcs         | 2          | 8'          |
| Lumber (1 x 2)   | Pcs         | 5          | 6'          |

# Size & Dimensions

Front

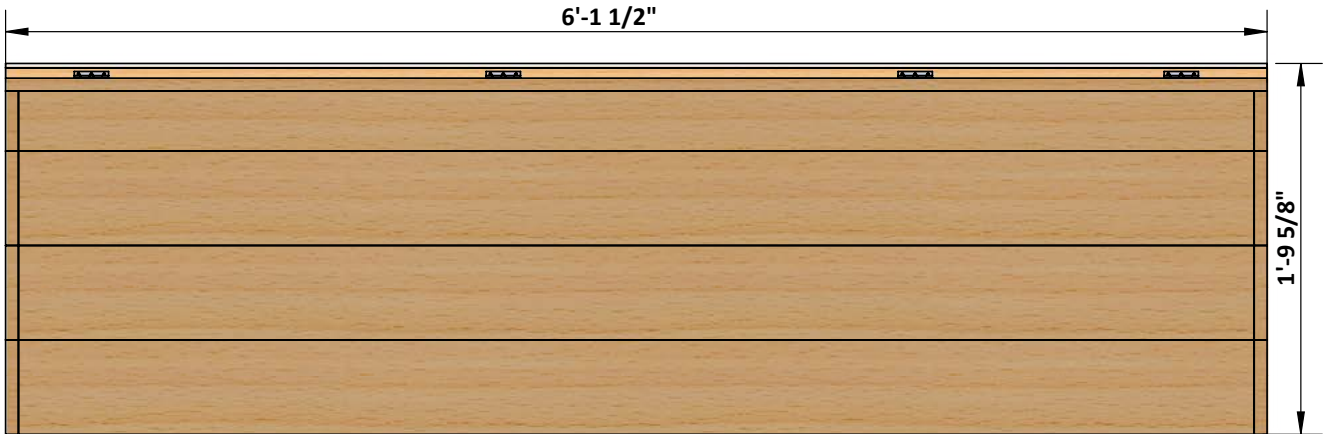


Le

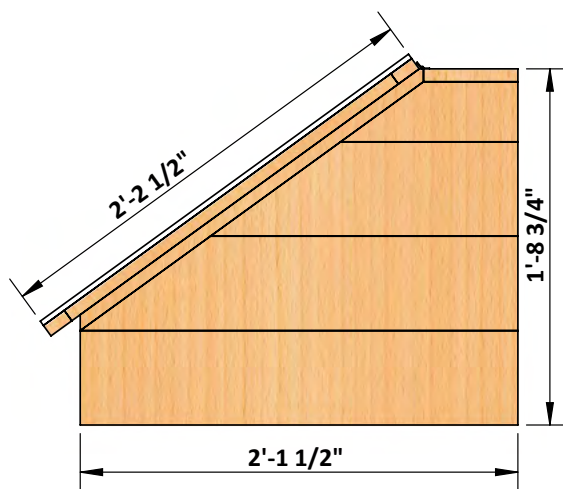


# Size & Dimensions

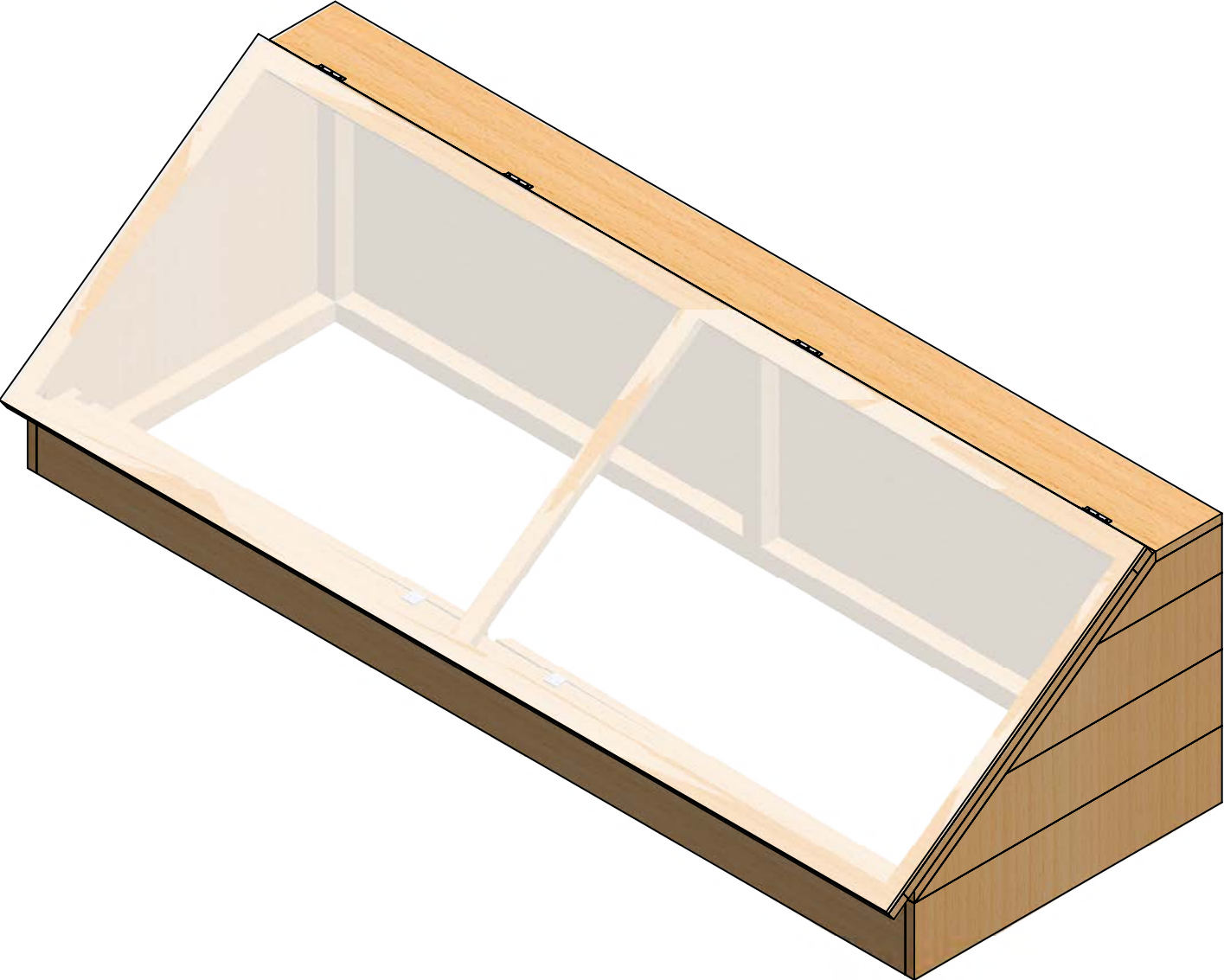
Rear



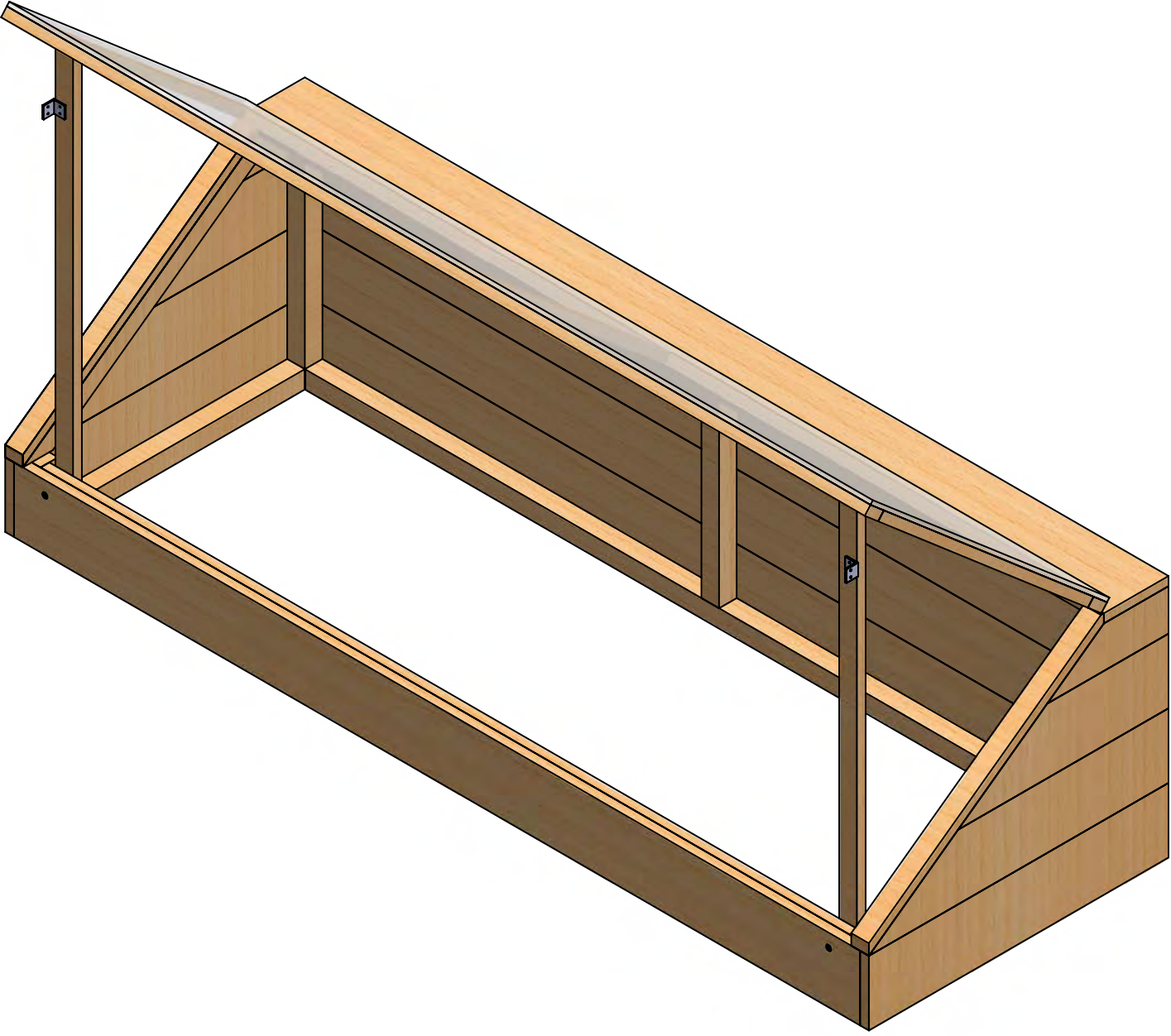
Right



# Model View



# Model View



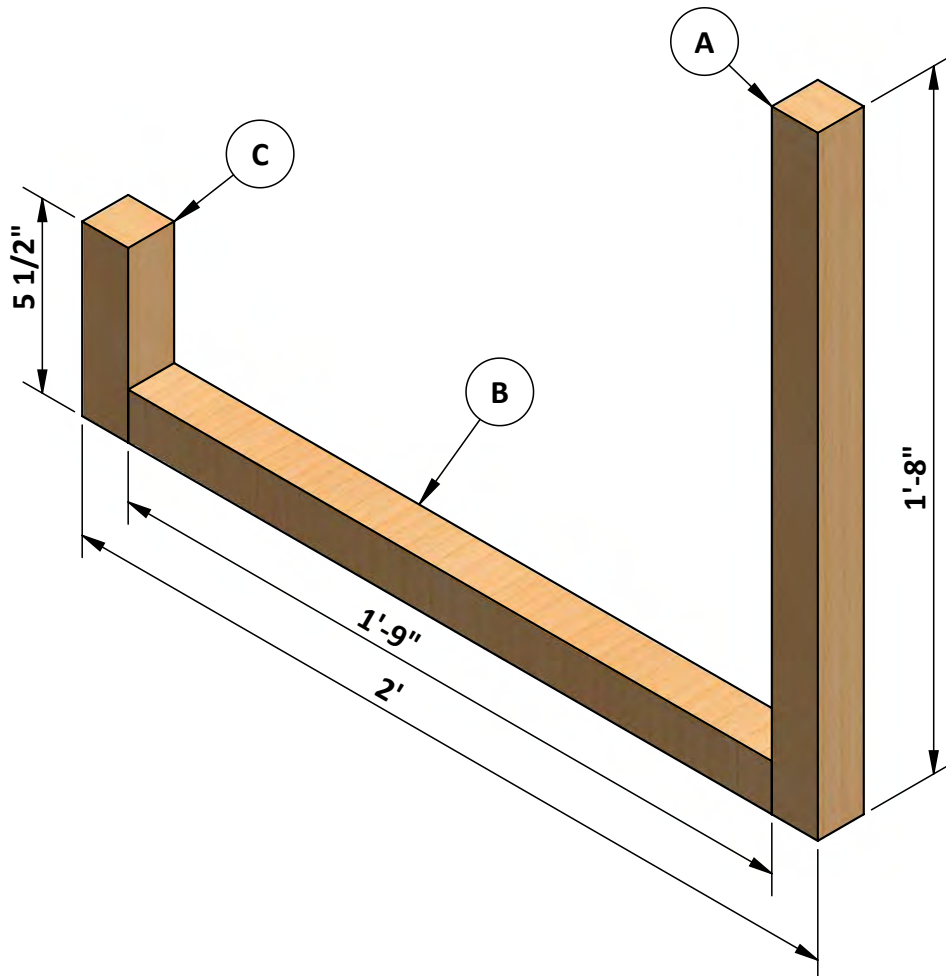
## STEP 1

# Leg Frame Assembly

1.1 Assemble the cold frame greenhouse legs using 2 x 2 lumbers.

1.2 Secure the lumbers with #10 x 3" phillips flat head wood screws.

| Pos | Description | Material         | Dimension | Qty |
|-----|-------------|------------------|-----------|-----|
| A   | Rear leg    | Lumber ( 2 x 2 ) | 1'-8"     | 2   |
| B   | Front leg   | Lumber ( 2 x 2 ) | 1'-9"     | 2   |
| C   | Girt        | Lumber ( 2 x 2 ) | 5 1/2"    | 2   |



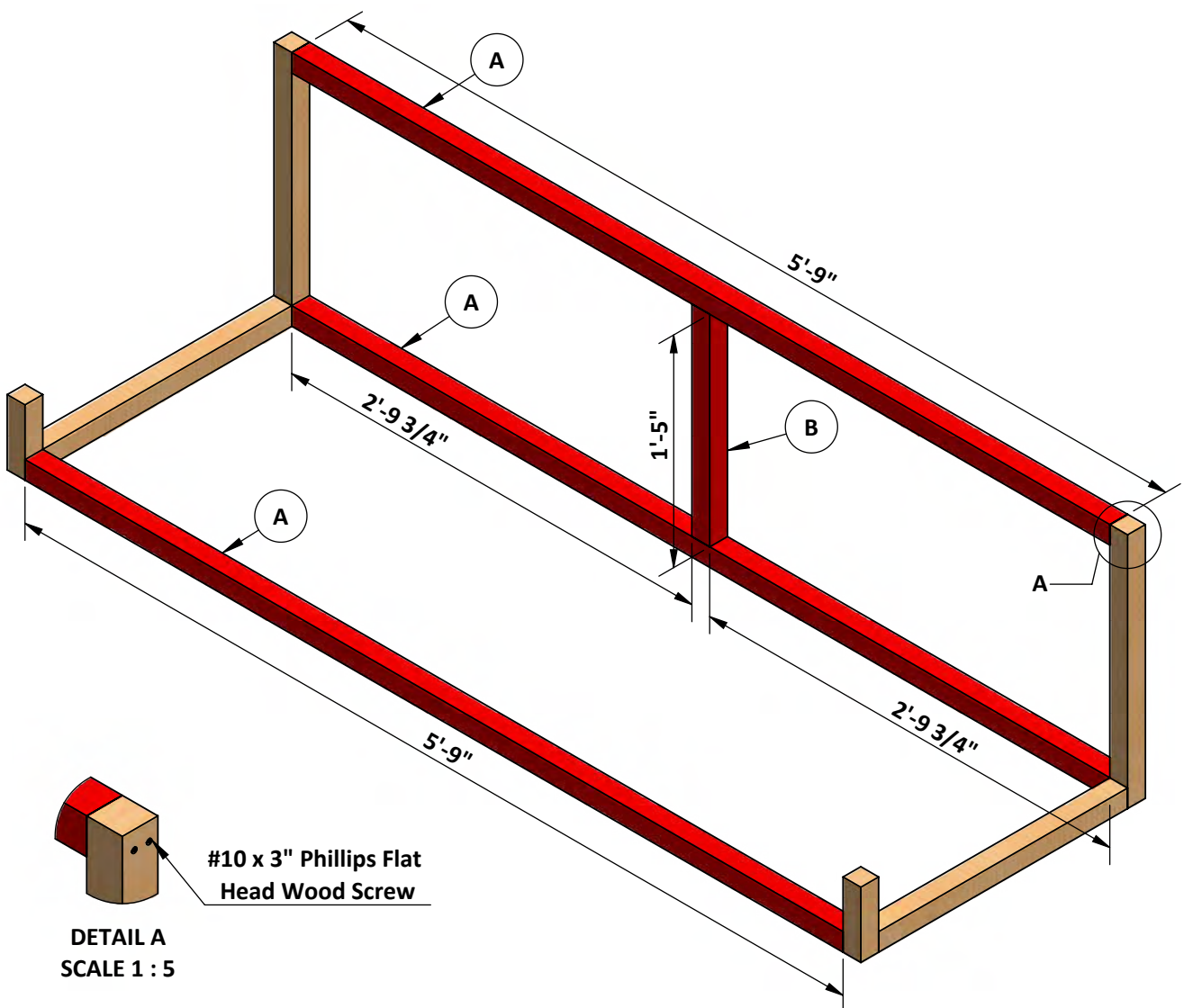
## STEP 2

# Body Frame Assembly

2.1 Assemble the body frame using 2 x 2 lumbers.

2.2 Secure the lumbers with #10 x 3" phillips flat head wood screws.

| Pos | Description | Material         | Dimension | Qty |
|-----|-------------|------------------|-----------|-----|
| A   | Body frame  | Lumber ( 2 x 2 ) | 5'-9"     | 3   |
| B   | Body frame  | Lumber ( 2 x 2 ) | 1'-5"     | 1   |



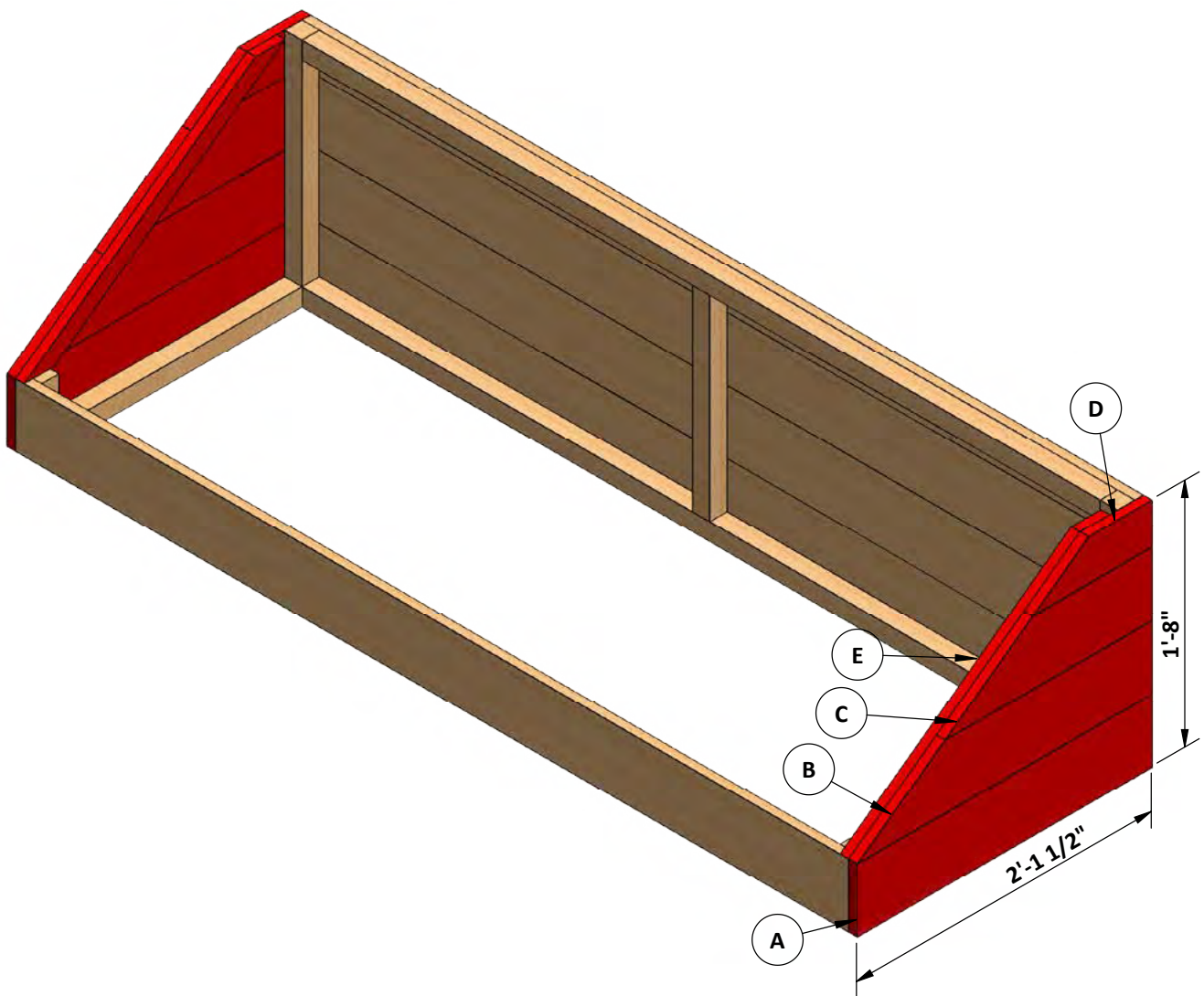
## STEP 3

### Side wall sheathing

**3.1** Assemble the side wall sheathing using 1 x 6 and 1 x 4 and 1 x 2 lumbers according to the illustration below.

**3.2** Secure the lumbers with #10 x 2" phillips flat head wood screws.

| Pos | Description         | Material        | Dimension | Qty |
|-----|---------------------|-----------------|-----------|-----|
| A   | Side wall sheathing | Lumber ( 1 x 6) | 2'-1 1/2" | 2   |
| B   | Side wall sheathing | Lumber ( 1 x 6) | 2'-1 1/2" | 2   |
| C   | Side wall sheathing | Lumber ( 1 x 6) | 1'-5 7/8" | 2   |
| D   | Side wall sheathing | Lumber ( 1 x 4) | 10 3/8"   | 2   |
| E   | Side wall sheathing | Lumber ( 1 x 2) | 2'-2 3/4" | 2   |



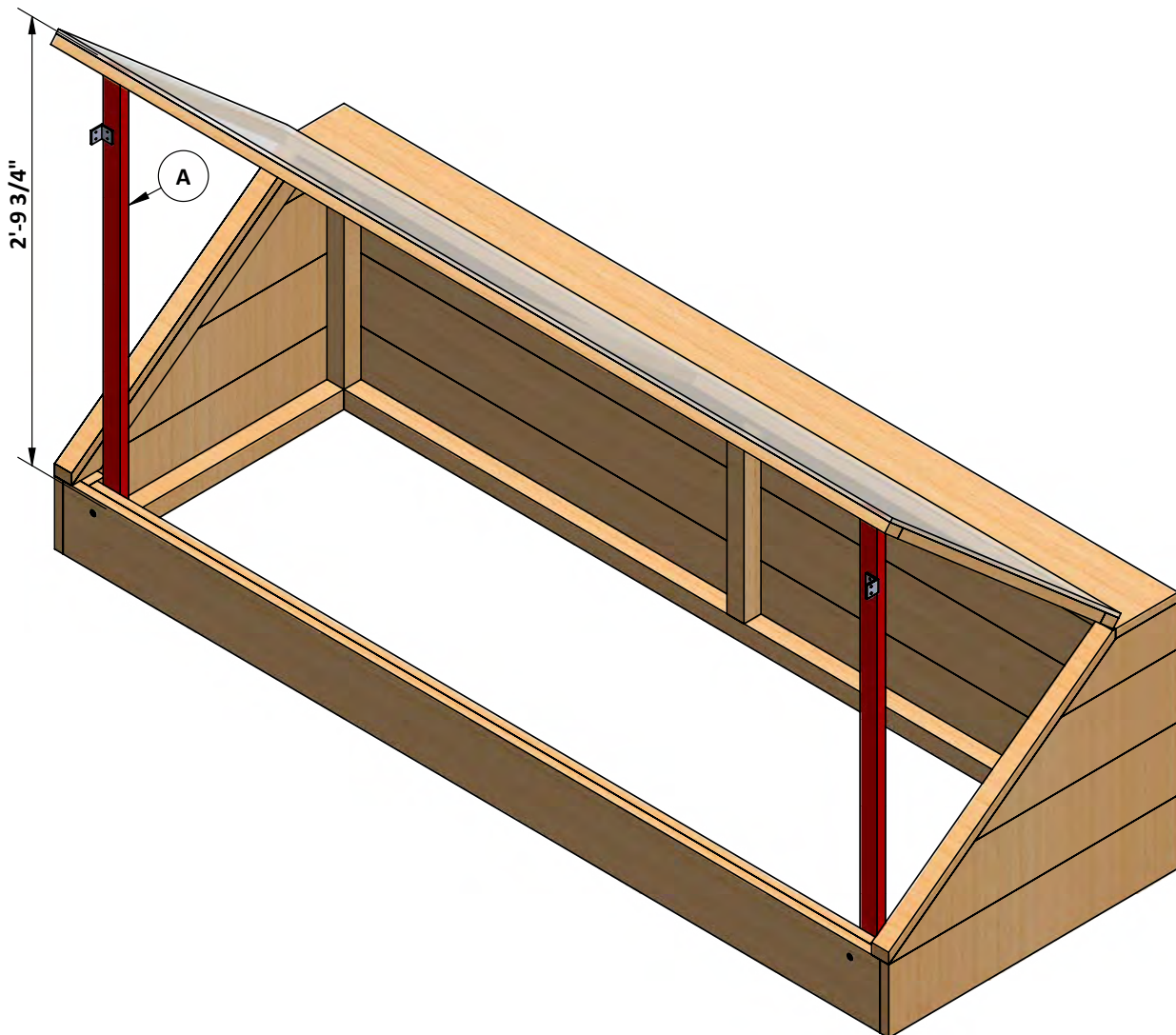
## STEP 4

### Lid Support Assembly

4.1 Assemble lid support using 1 x 2 lumber according to the illustration below.

4.2 Secure the lid support with 1/4 x 3 flat head nut and bolt and add a 1" corner bracer according to the illustration below.

| Pos | Description | Material         | Dimension | Qty |
|-----|-------------|------------------|-----------|-----|
| A   | Lid support | Lumber ( 1 x 2 ) | 2'-9 3/4" | 2   |



## STEP 5

# Thank You

Now that your Cold frame Greenhouse is all done, you can use your greenhouse.



# Free vs. Premium Plan: What's the Difference?

We offer both free and premium versions of our detailed shed plans, designed to fit your needs and budget. Check out the table below to see the key differences and choose the plan that's right for you:

| Features                      | Free Plan | Premium Plan  |
|-------------------------------|-----------|---------------|
| Metric measurements           | X         | ✓             |
| Illustrations per Step        | Limited   | Every Step    |
| Print Ready Format            | X         | ✓             |
| Step-by-Step Instructions     | Basic     | Comprehensive |
| Full Materials & Cutting List | X         | ✓             |
| Additional Illustrations      | X         | ✓             |
| Additional Blueprints         | X         | ✓             |
| Tools List                    | X         | ✓             |
| Fastening Elements List       | X         | ✓             |
| Technical Support             | X         | ✓             |

[Try Premium Risk-Free](#)

30-day refund policy with no questions asked.



For more great **HOW-TO** plans please visit: <https://craft.camp>

## **Copyright**

The text and illustrations that appear here are the exclusive property of craft.camp and are protected by federal copyright laws. The duplication, sale or distribution of any portion of these plans without prior written consent from the original designer will be subject to the appropriate penalties for copyright infringement. Sharing this plan on the web is only permitted with an indicated original source: <https://craft.camp>