



Free 2' x 4' Greenhouse Plan

Free vs. Premium Plan: What's the Difference?

We offer both free and premium versions of our detailed shed plans, designed to fit your needs and budget. Check out the table below to see the key differences and choose the plan that's right for you:

Features	Free Plan	Premium Plan
Metric measurements	X	✓
Illustrations per Step	Limited	Every Step
Print Ready Format	X	✓
Step-by-Step Instructions	Basic	Comprehensive
Full Materials & Cutting List	X	✓
Additional Illustrations	X	✓
Additional Blueprints	X	✓
Tools List	X	✓
Fastening Elements List	X	✓
Technical Support	X	✓

[Try Premium Risk-Free](#)

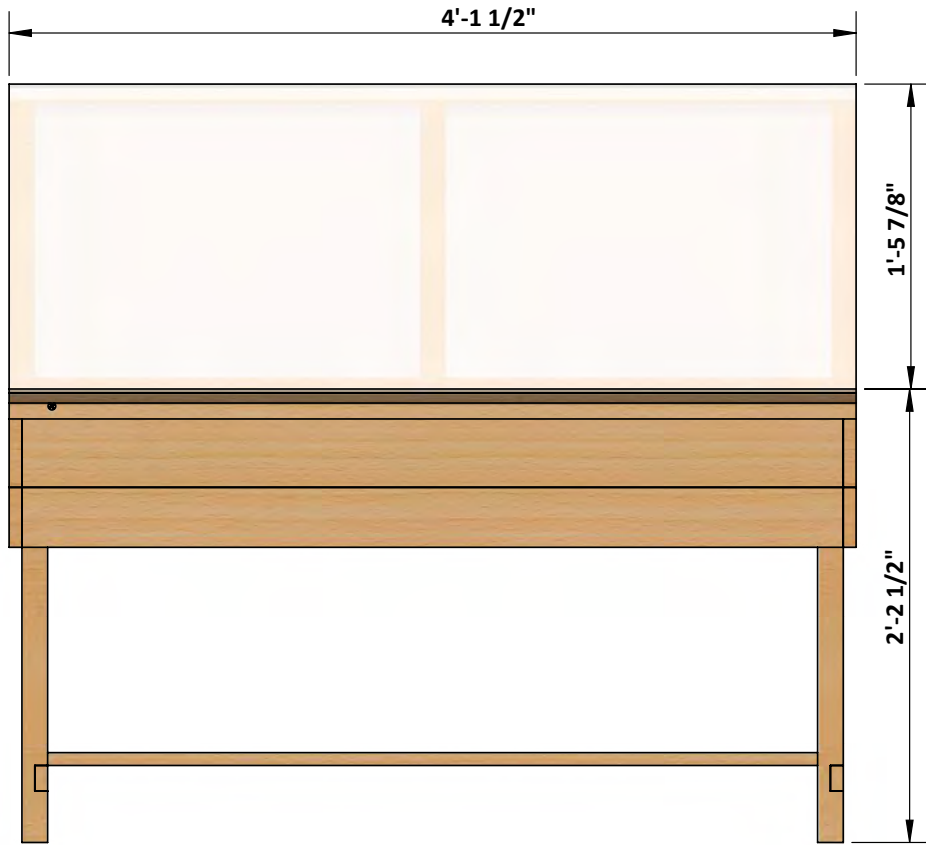
30-day refund policy with no questions asked.

2' x 4' Greenhouse Shopping List

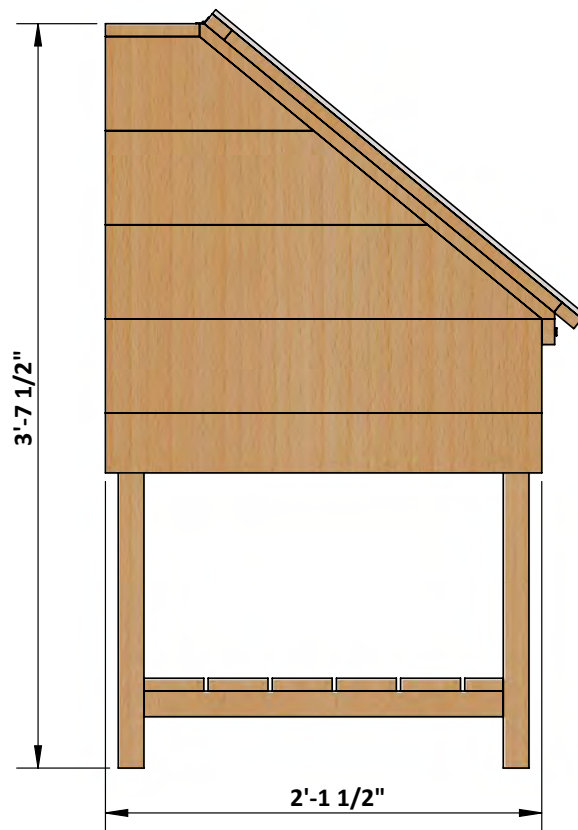
Materials	Unit	Qty	Size
Lumber (2 x 2)	Pcs	2	8'
Lumber (2 x 2)	Pcs	1	10'
Lumber (1 x 6)	Pcs	2	10'
Lumber (1 x 6)	Pcs	4	8'
Lumber (1 x 6)	Pcs	2	6'
Lumber (1 x 4)	Pcs	4	8'
Lumber (1 x 4)	Pcs	1	6'
Lumber (1 x 2)	Pcs	4	8'

Size & Dimensions

Front

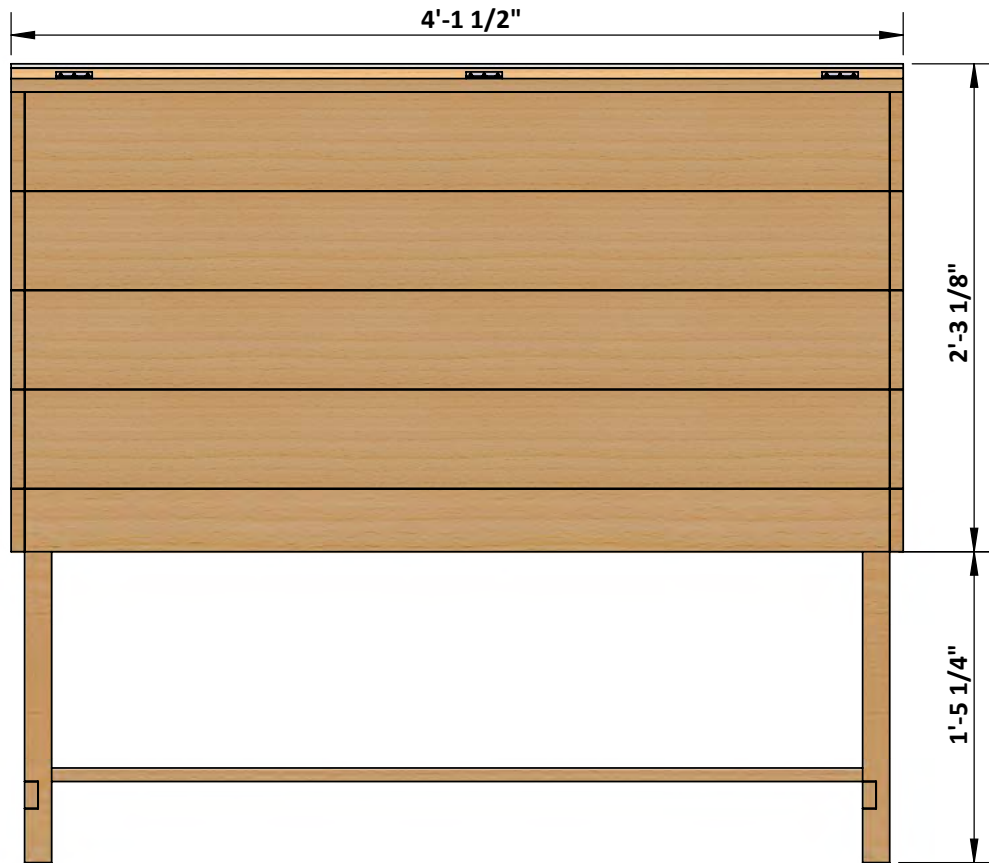


Le

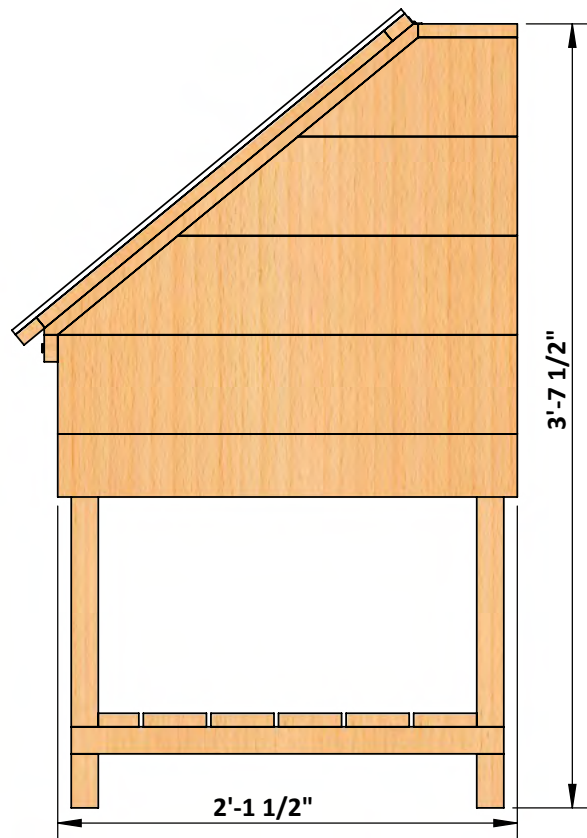


Size & Dimensions

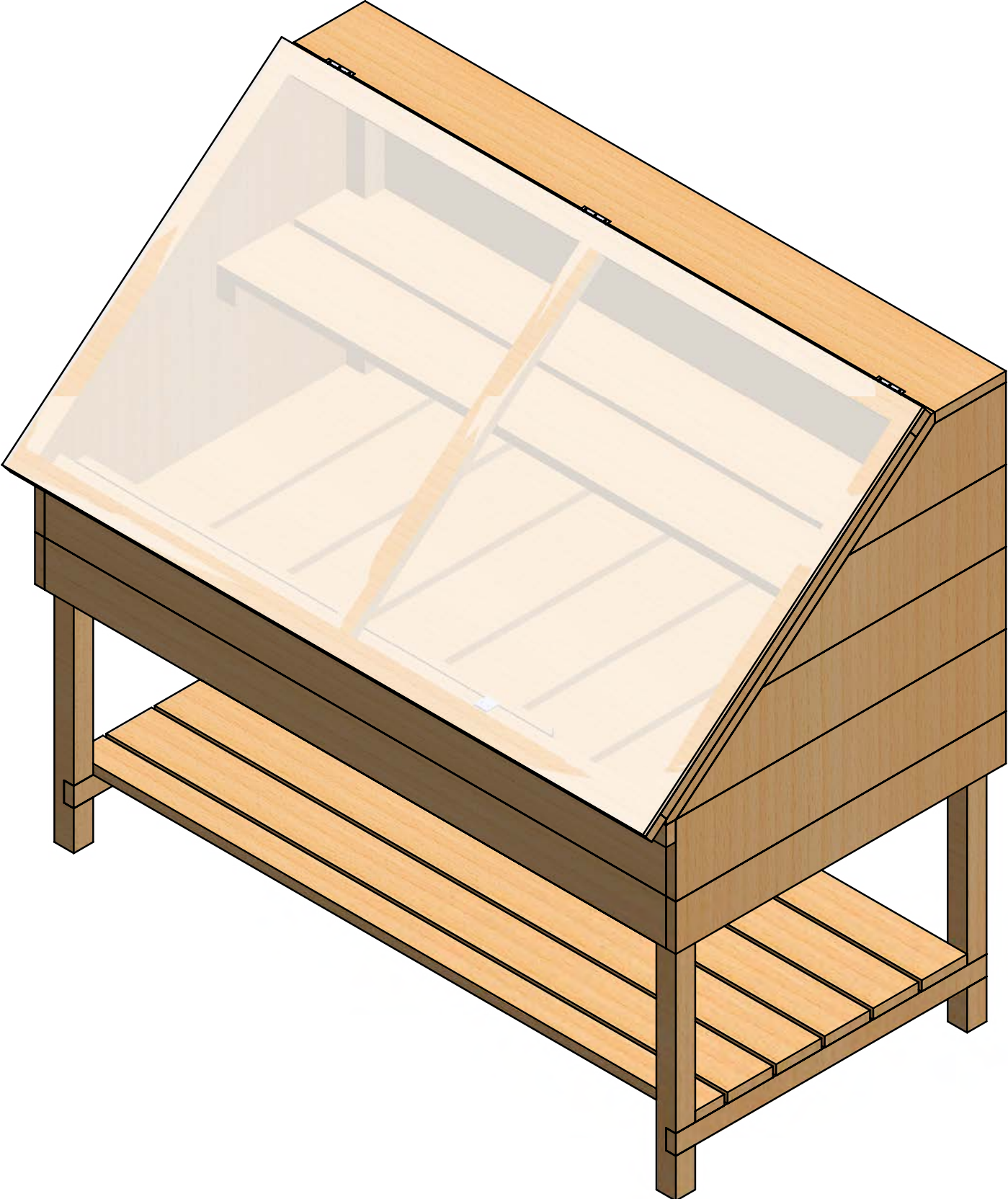
Rear



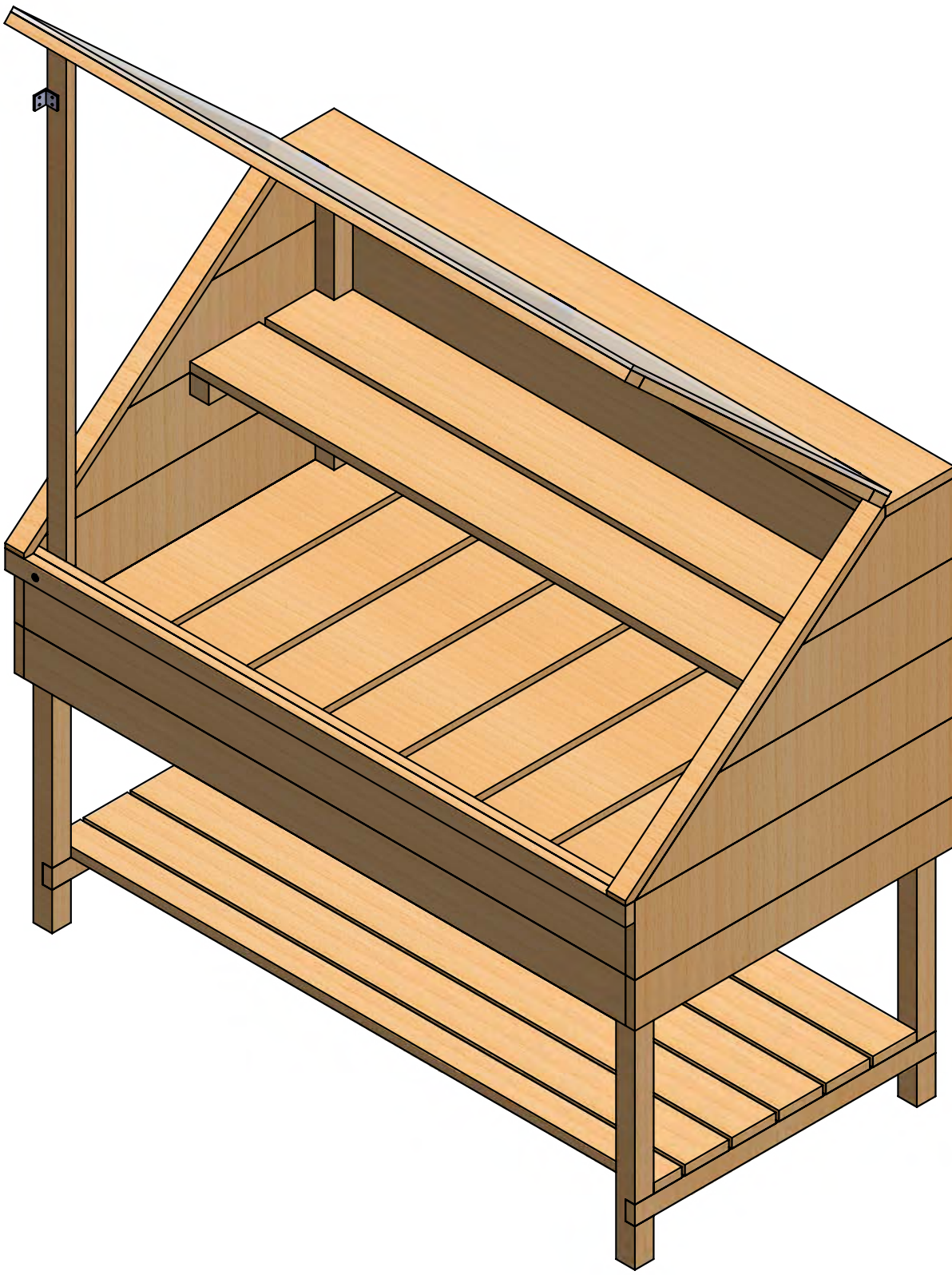
Right



Model View



Model View



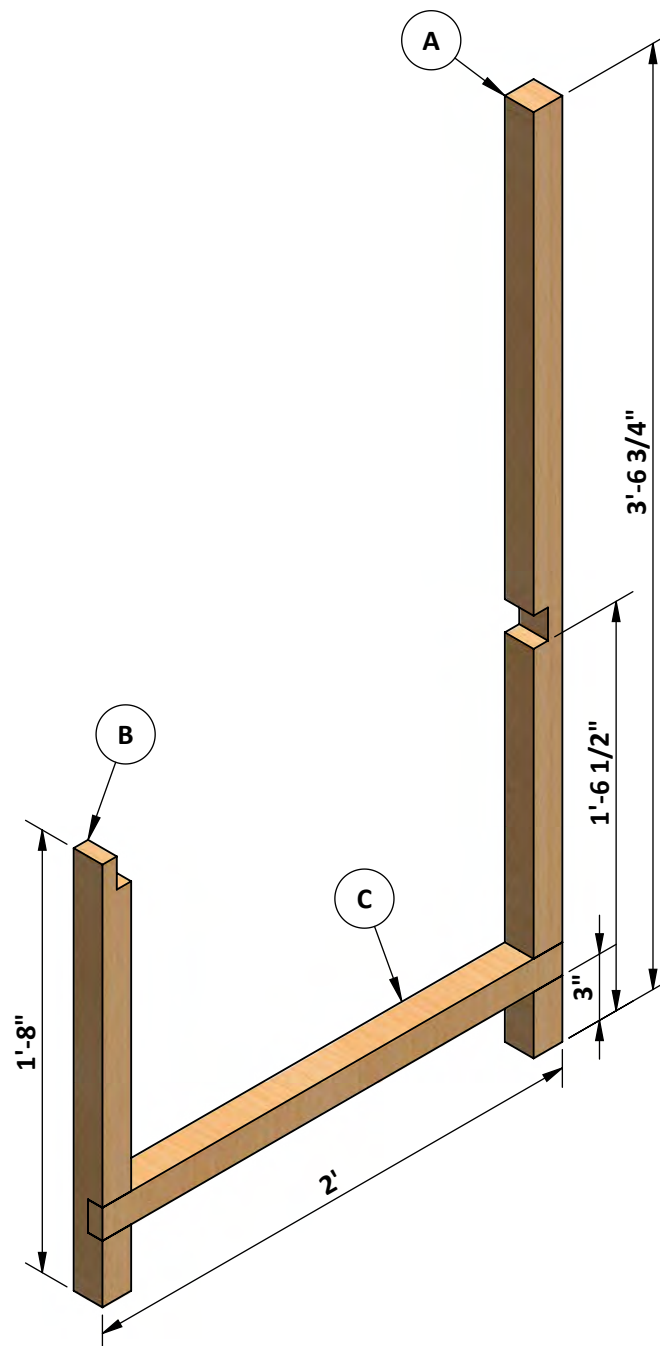
STEP 1

Legs Assembly

1.1 Assemble the greenhouse legs using 2 x 2 lumbers.

1.2 Secure the lumbers with #10 x 1" phillips flat head wood screws.

Pos	Description	Material	Dimension	Qty
A	Rear leg	Lumber (2 x 2)	3'-6 3/4"	2
B	Front leg	Lumber (2 x 2)	1'-8"	2
C	Girt	Lumber (2 x 2)	2'	2



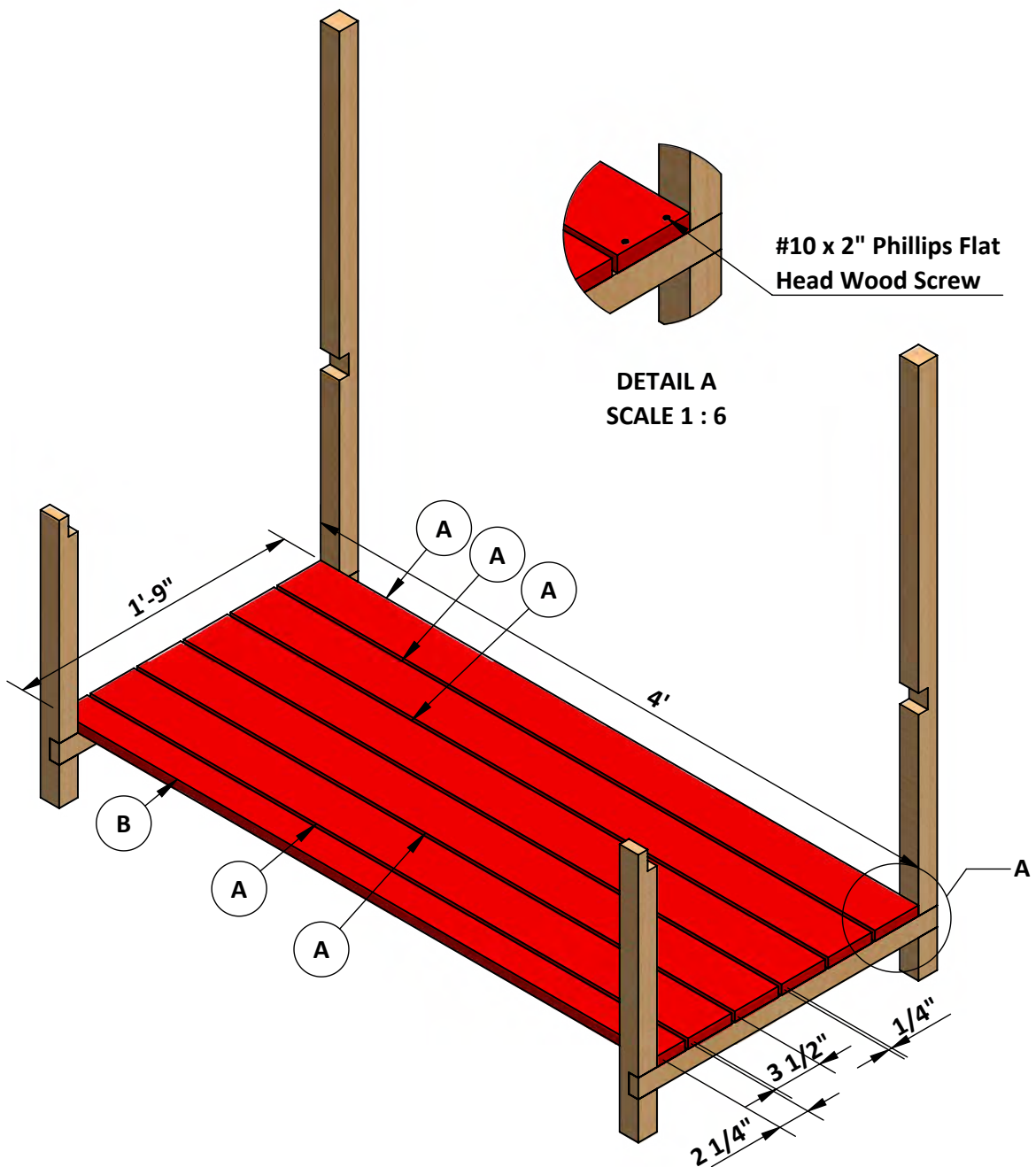
STEP 2

Bottom Shelf Assembly

2.1 Assemble the bottom shelf using 1 x 4 lumbers.

2.2 Secure the lumbers with #10 x 2" phillips flat head wood screws.

Pos	Description	Material	Dimension	Qty
A	Bottom shelf	Lumber (1 x 4)	4'	5
B	Bottom shelf	Lumber (1 x 4)	4'	1



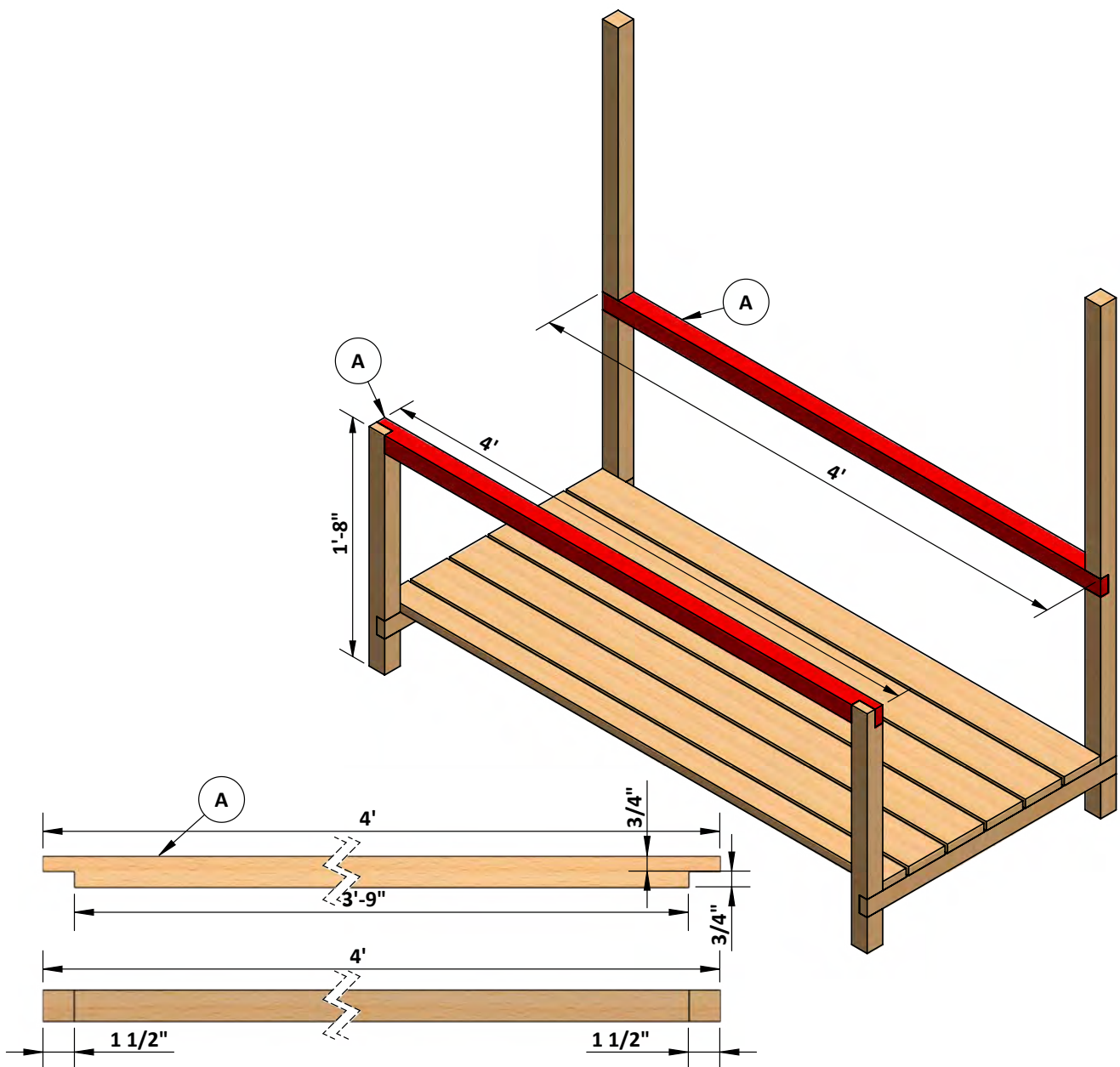
STEP 3

Middle girt Assembly

3.1 Assemble the middle girt using 2 x 2 lumbers.

3.2 Secure the lumbers with #10 x 1" phillips flat head wood screws.

Pos	Description	Material	Dimension	Qty
A	Middle girt	Lumber (2 x 2)	4'	2



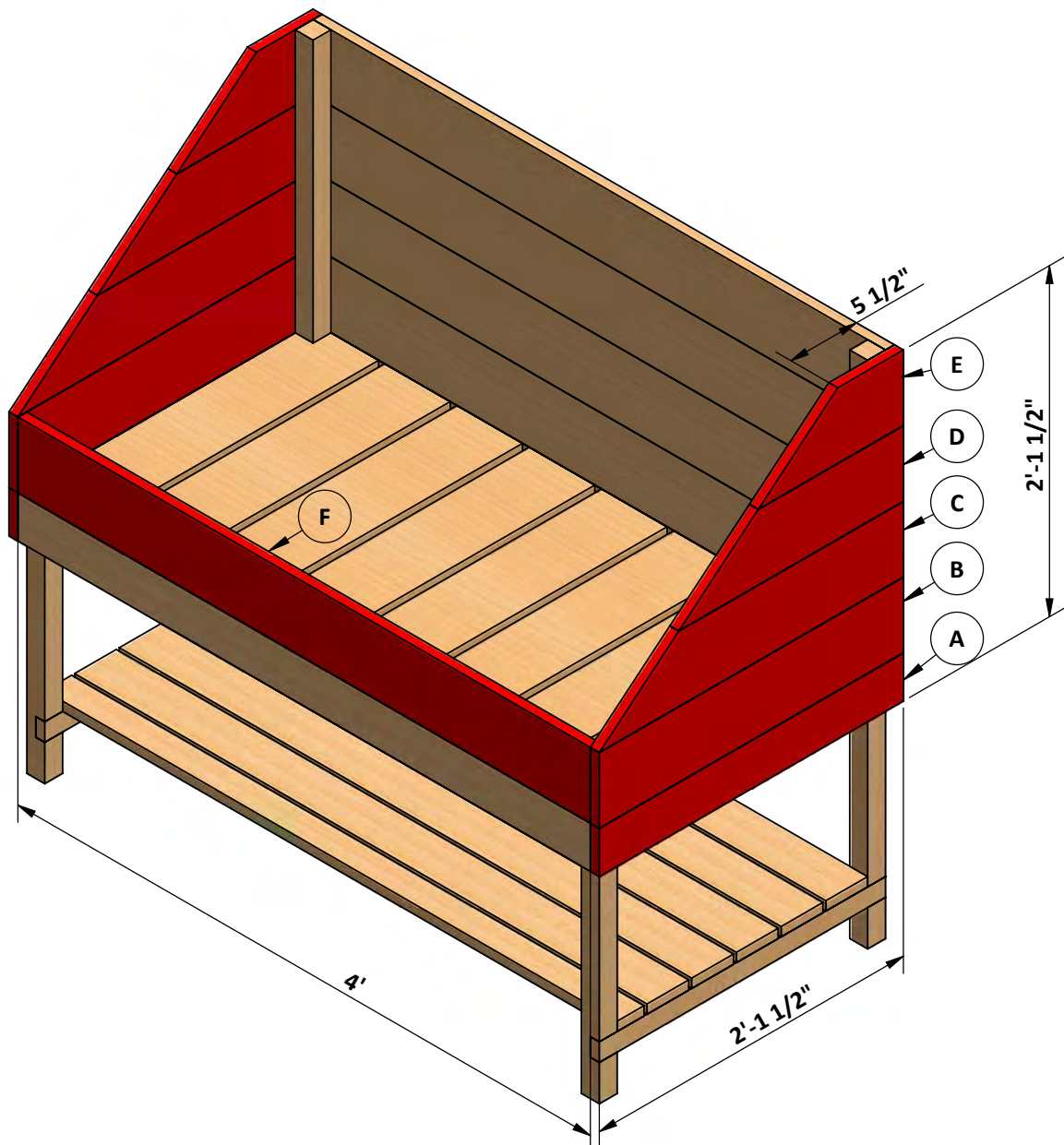
STEP 4

Side wall sheathing

4.1 Assemble the side wall sheathing using 1 x 4 and 1 x 6 lumbers according to the illustration below.

4.2 Secure the lumbers with #10 x 2" phillips flat head wood screws.

Pos	Description	Material	Dimension	Qty
A	Side wall sheathing	Lumber (1 x 4)	2'-1 1/2"	2
B	Side wall sheathing	Lumber (1 x 6)	2'-1 1/2"	2
C	Side wall sheathing	Lumber (1 x 6)	2'-1 1/2"	2
D	Side wall sheathing	Lumber (1 x 6)	1'-6 7/8"	2
E	Side wall sheathing	Lumber (1 x 6)	1'-1/8"	2
F	Side wall sheathing	Lumber (1 x 6)	4'	1



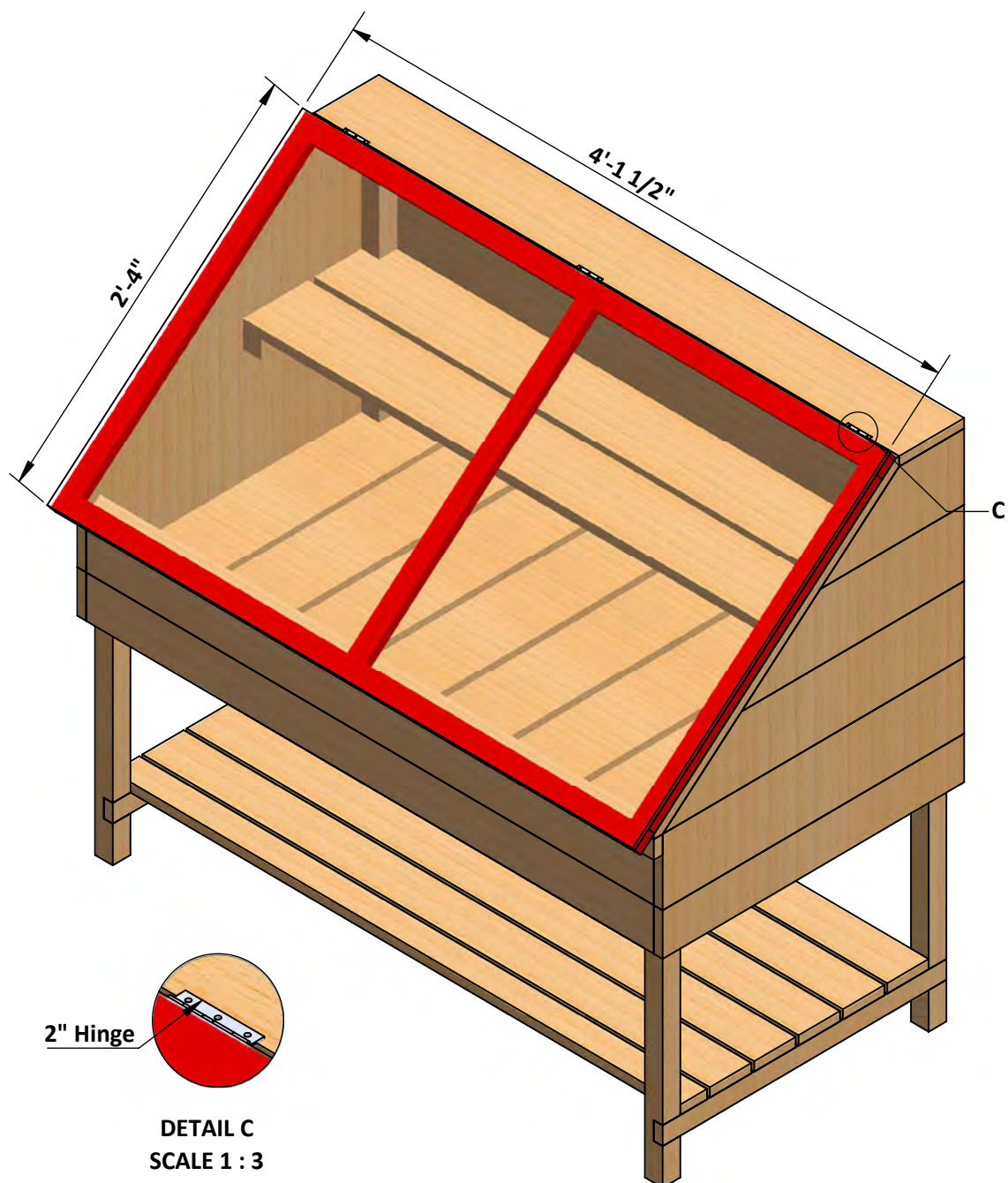
STEP 5

Top cover Assembly

5.1 Assemble the top cover using 1 x 2 lumbers and 5/16 polycarbonate according to the illustration below..

5.2 Secure the top cover with 2" hinge with #10 x 2" and #10 x 1" phillips flat head wood screws..

Pos	Description	Material	Dimension	Qty
A	Top cover frame	Lumber (1 x 2)	4'-1 1/2"	2
B	Top cover frame	Lumber (1 x 2)	2'-1"	3
C	Top cover	Polycarbonate 5/16	4'-1 1/2" x 2'-4"	1



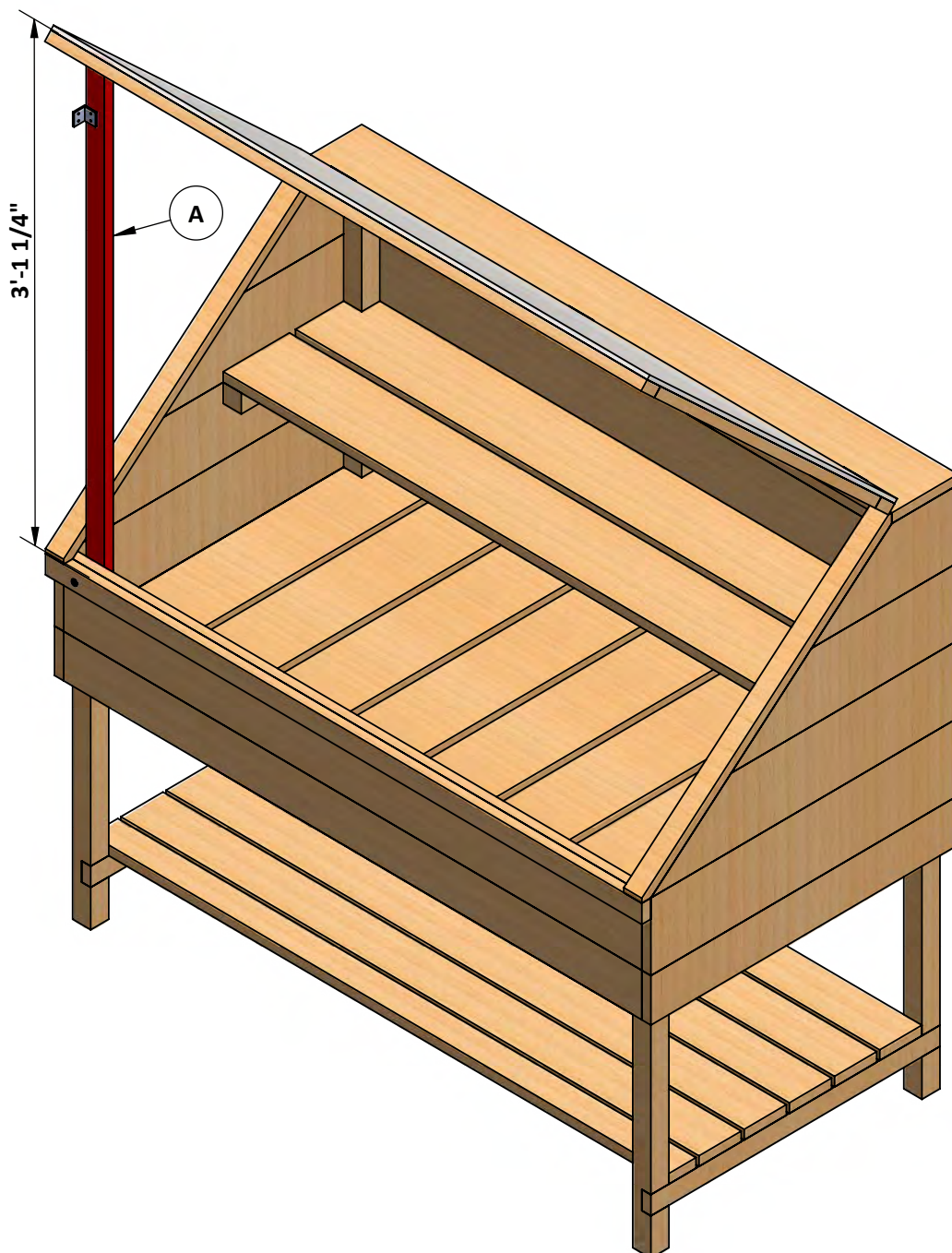
STEP 6

Lid Support Assembly

6.1 Assemble lid support using 1 x 2 lumber according to the illustration below.

6.2 Secure the lid support with 1/4 x 3 flat head nut and bolt and add a 1" corner bracer according to the illustration below.

Pos	Description	Material	Dimension	Qty
A	Lid support	Lumber (1 x 2)	3'-1 1/4"	1



STEP 7

Thank You

Now that your Greenhouse is all done, you can use your greenhouse.



Free vs. Premium Plan: What's the Difference?

We offer both free and premium versions of our detailed shed plans, designed to fit your needs and budget. Check out the table below to see the key differences and choose the plan that's right for you:

Features	Free Plan	Premium Plan
Metric measurements	X	✓
Illustrations per Step	Limited	Every Step
Print Ready Format	X	✓
Step-by-Step Instructions	Basic	Comprehensive
Full Materials & Cutting List	X	✓
Additional Illustrations	X	✓
Additional Blueprints	X	✓
Tools List	X	✓
Fastening Elements List	X	✓
Technical Support	X	✓

[Try Premium Risk-Free](#)

30-day refund policy with no questions asked.



For more great **HOW-TO** plans please visit: <https://craft.camp>

Copyright

The text and illustrations that appear here are the exclusive property of craft.camp and are protected by federal copyright laws. The duplication, sale or distribution of any portion of these plans without prior written consent from the original designer will be subject to the appropriate penalties for copyright infringement. Sharing this plan on the web is only permitted with an indicated original source: <https://craft.camp>